

EANCOM[®] 2002 S3

DEBMUL

Multiple debit advice message

Edition 2016 Upd. 2021

1. Introduction.....	2
2. Message Structure Chart	4
3. Branching Diagram.....	6
4. Segments Description	15
5. Segments Layout.....	21
6. Example(s)	94

1. Introduction

Status

MESSAGE TYPE : DEBMUL
REFERENCE DIRECTORY : D.01B
EANCOM® SUBSET VERSION : 003

Definition

A Multiple Debit Advice message is sent by an Account Servicing Financial Institution to the Account Owner or to a third party, which has agreed bilaterally in advance, that its account(s) has been or will be debited for specified amount(s) on the date(s) indicated, in settlement of the referenced business transaction(s).

Principles

A Multiple Debit Advice message may cover the financial settlement of one or more commercial trade transactions, such as invoices, credit notes, debit notes, etc.

Several debit accounts, value dates, entry dates and currencies may be specified.

Notes

This section should be read in conjunction with the Branching Diagram and the Segment Table which indicate mandatory, conditional and repeating requirements.

The following semantic principles which apply to the message are intended to facilitate a better understanding of the message:

The Multiple Debit Advice message is structured in three levels, A, B, and C.

- Level A contains data related to routing criteria for the whole message and is contained in the heading section, segment group 1 through 3, the CNT segment, group 28, and the UNT segment.
- Level B contains data from the debit side (one debit account, one currency, one execution date) and data which applies to all further details of C level(s) and is contained in segment group 4 through 9.
- Level C contains detailed data related to the transactions which make up the debit side and is contained in segment group 10 through 27.

The structure of the message is designed to allow several B levels, each B level being followed by its related C levels.

Using the message for simple, extended, or multiple transactions

The multiple debit advice message may be used by an ordering party's bank to transmit single, extended, or multiple debit advices to an ordering customer.

A **debit advice** is a message from a bank to its customer providing notification that funds have been debited from its account(s) and identifying the party receiving the associated credit.

1. Introduction

A simple debit advice always relates to **one debit from one ordering party's account** in favour of **one beneficiary**. To use the DEBMUL message as a simple debit advice the following data must be provided;

Data	Where
Ordering Customer Data / Beneficiary data	FII - Group 6 FII - Group 10 / NAD - Group 14
Credit Values	MOA - Group 4 (Total CREDIT value) MOA - Group 13 (Individual CREDIT transaction values)
Payment Order Number	RFF - Group 5 (CREDIT side) RFF - Group 11 (Individual CREDIT transactions)

An extended debit advice always relates to **many debits from one ordering party's account** in favour of **one beneficiary**. To use the DEBMUL message as an extended debit advice the following data must be provided;

Data	Where
Ordering Customer Data / Beneficiary data	FII - Group 6 FII - Group 10 / NAD - Group 14
Credit Values	MOA - Group 4 (Total CREDIT value) MOA - Group 13 (Individual CREDIT transaction values)
Payment Order Number	RFF - Group 5 (CREDIT side) RFF - Group 11 (Individual CREDIT transactions)

A multiple debit advice always relates to **many debits from one ordering party's account** in favour of **one (or many) beneficiary(ies)**. The complete structure of the DEBMUL message may be transmitted in order to provide multiple debit advices.

2. Message Structure Chart



UNA	1	C	1	- Service string advice
UNB	2	M	1	- Interchange header

Multiple Debit Advice Heading Section

UNH	3	M	1	- Message header
BGM	4	M	1	- Beginning of message
DTM	5	M	1	- Date/time/period
BUS	6	C	1	- Business function
SG2		C	5	- FII
FII	7	M	1	- Financial institution information
SG3		C	3	- NAD
NAD	8	M	1	- Name and address

Multiple Debit Advice Detail Section - Level B

SG4		M	9999	- LIN-DTM-BUS-MOA-SG5-SG6-SG7-SG10
LIN	9	M	1	- Line item
DTM	10	C	3	- Date/time/period
BUS	11	C	1	- Business function
MOA	12	M	2	- Monetary amount
SG5		M	3	- RFF
RFF	13	M	1	- Reference
SG6		M	1	- FII
FII	14	M	1	- Financial institution information
SG7		C	5	- FCA-MOA-SG8
FCA	15	M	1	- Financial charges allocation
MOA	16	C	2	- Monetary amount
SG8		C	6	- ALC-PCD-MOA-CUX-DTM-SG9
ALC	17	M	1	- Allowance or charge
PCD	18	C	1	- Percentage details
MOA	19	C	2	- Monetary amount
CUX	20	C	1	- Currencies
DTM	21	C	1	- Date/time/period
SG9		C	5	- TAX-MOA
TAX	22	M	1	- Duty/tax/fee details
MOA	23	C	2	- Monetary amount

Multiple Debit Advice Detail Section - Level C

SG10		C	99999	- SEQ-DTM-BUS-FII-SG11-SG12-SG13-SG14-SG15-SG16-SG17-SG
SEQ	24	M	1	- Sequence details
DTM	25	C	3	- Date/time/period
BUS	26	C	1	- Business function
FII	27	M	2	- Financial institution information
SG11		C	5	- RFF-DTM
RFF	28	M	1	- Reference
DTM	29	C	1	- Date/time/period
SG12		C	1	- PAI
PAI	30	M	1	- Payment instructions
SG13		M	4	- MOA-DTM-RFF
MOA	31	M	1	- Monetary amount
DTM	32	C	2	- Date/time/period
RFF	33	C	1	- Reference
SG14		C	3	- NAD-CTA-COM
NAD	34	M	1	- Name and address
CTA	35	C	1	- Contact information
COM	36	C	5	- Communication contact

2. Message Structure Chart

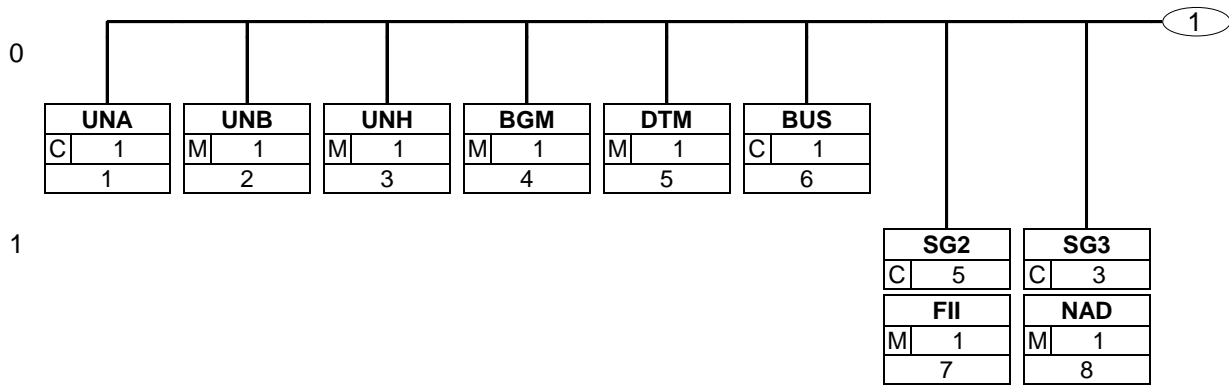


SG15		C	3	- INP-FTX-DTM
INP		37 M	1	- Parties and instruction
FTX		38 C	1	- Free text
DTM		39 C	2	- Date/time/period
SG16		C	10	- GIS-MOA-LOC-NAD-RCS-FTX
GIS	X	40 M	1	- General indicator
MOA		41 C	1	- Monetary amount
LOC		42 C	2	- Place/location identification
NAD		43 C	1	- Name and address
RCS		44 C	1	- Requirements and conditions
FTX		45 C	10	- Free text
SG17		C	5	- FCA-MOA-SG18
FCA		46 M	1	- Financial charges allocation
MOA		47 C	2	- Monetary amount
SG18		C	20	- ALC-PCD-MOA-CUX-DTM-SG19
ALC		48 M	1	- Allowance or charge
PCD		49 C	1	- Percentage details
MOA		50 C	2	- Monetary amount
CUX		51 C	1	- Currencies
DTM		52 C	1	- Date/time/period
SG19		C	5	- TAX-MOA
TAX		53 M	1	- Duty/tax/fee details
MOA		54 C	2	- Monetary amount
SG20		C	1	- PRC-FTX-SG21-SG27
PRC		55 M	1	- Process identification
FTX		56 C	5	- Free text
SG21		C	9999	- DOC-MOA-RFF
DOC		57 M	1	- Document/message details
MOA		58 C	5	- Monetary amount
RFF		59 C	5	- Reference
SG27		C	1	- GIS-MOA
GIS	X	60 M	1	- General indicator
MOA		61 C	5	- Monetary amount

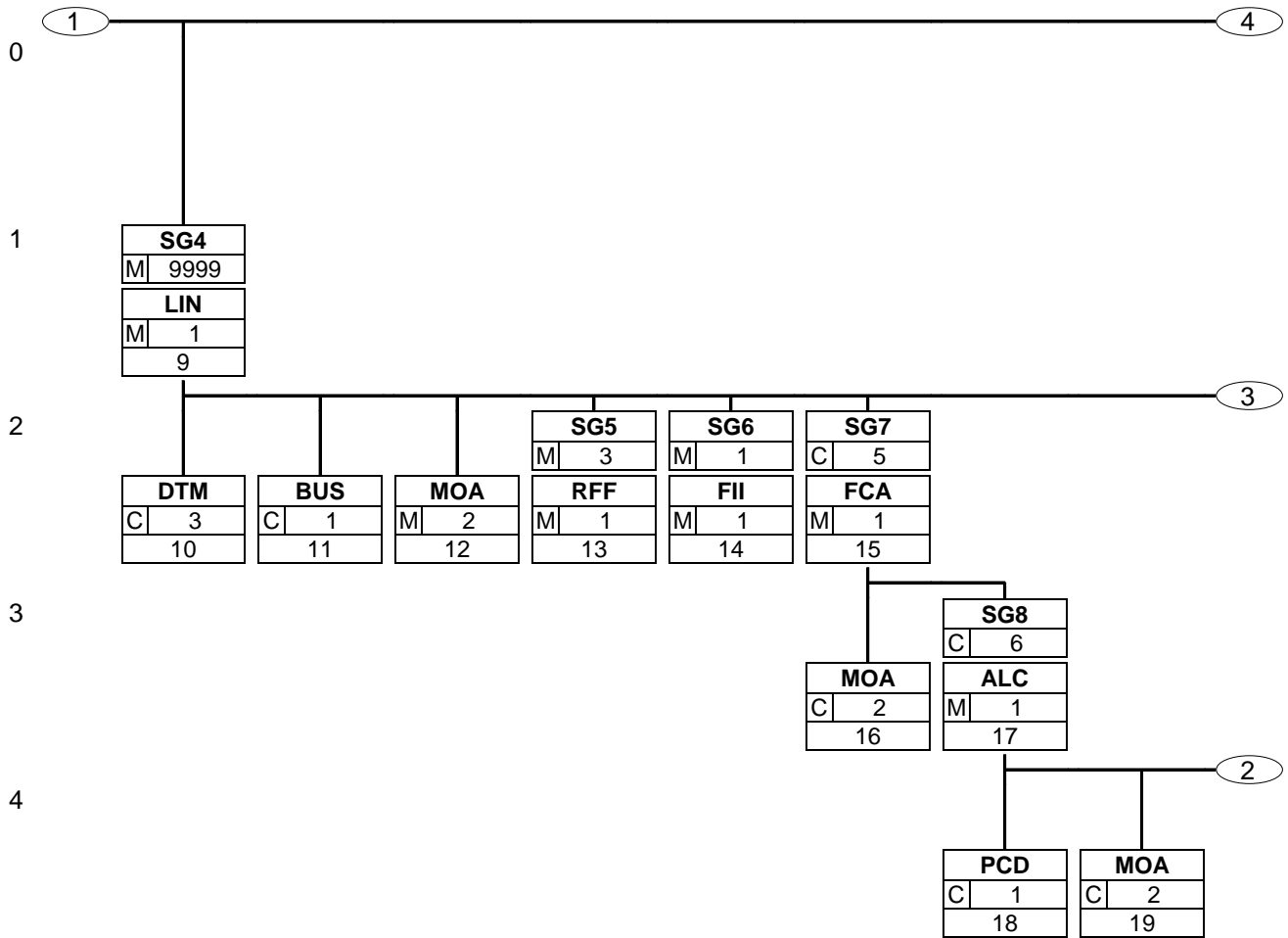
Multiple Debit Advice Summary Section

CNT		62 C	5	- Control total
SG28		C	5	- AUT-DTM
AUT		63 M	1	- Authentication result
DTM		64 C	1	- Date/time/period
UNT		65 M	1	- Message trailer
UNZ		66 M	1	- Interchange trailer

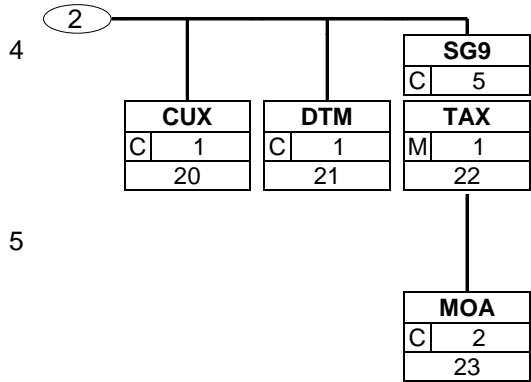
3. Branching Diagram



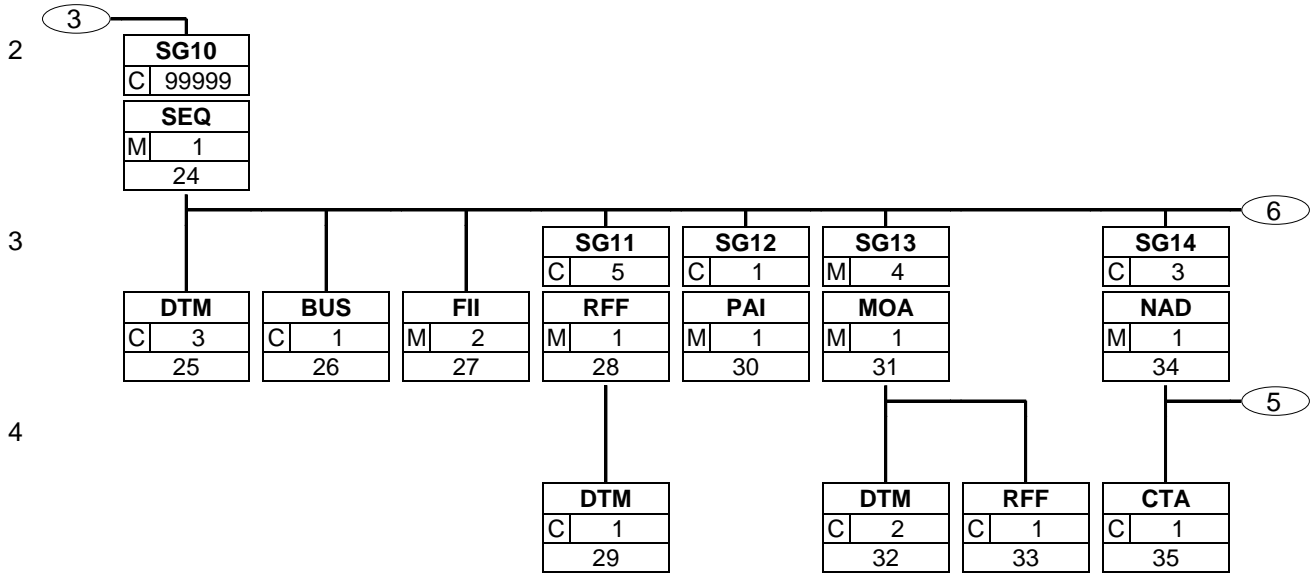
3. Branching Diagram



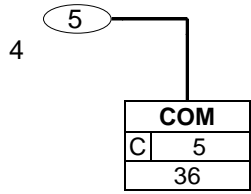
3. Branching Diagram



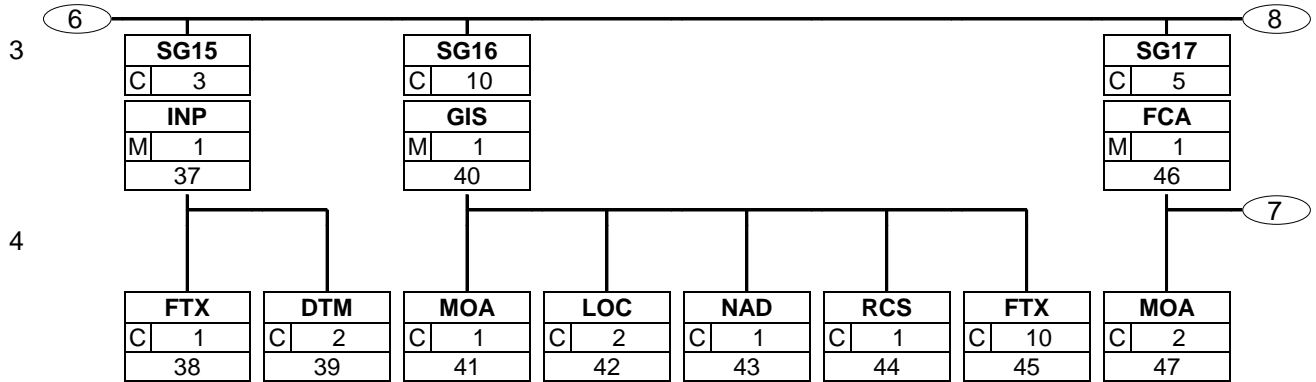
3. Branching Diagram



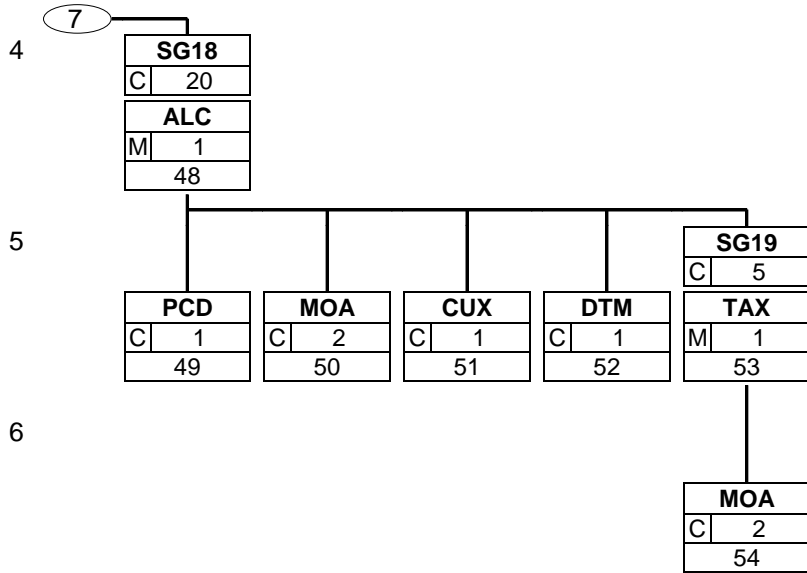
3. Branching Diagram



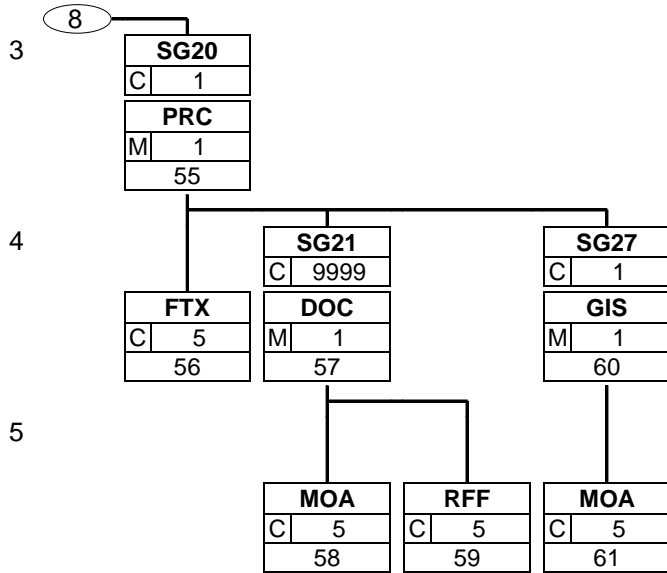
3. Branching Diagram



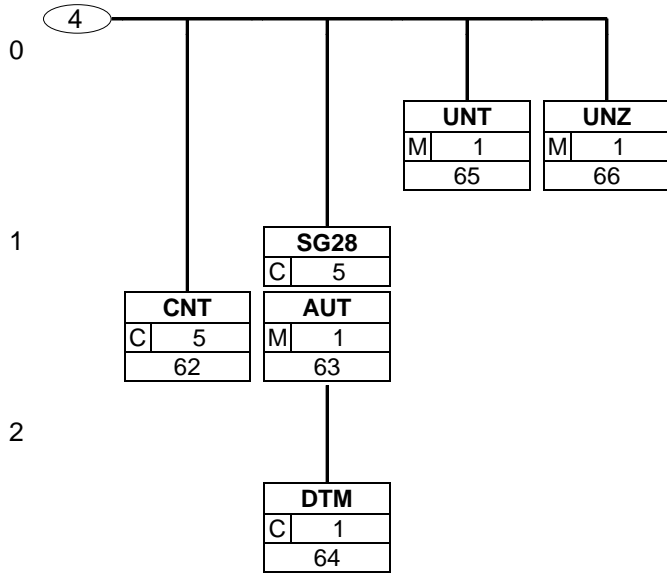
3. Branching Diagram



3. Branching Diagram



3. Branching Diagram



4. Segments Description

- UNA - C 1 - Service string advice
The service string advice shall begin with the upper case characters UNA immediately followed by six characters in the order shown below. The same character shall not be used in more than one position of the UNA.
- UNB - M 1 - Interchange header
This segment is used to envelope the interchange, as well as to identify both, the party to whom the interchange is sent and the party who has sent the interchange. The principle of the UNB segment is the same as a physical envelope which covers one or more letters or documents, and which details, both the address where delivery is to take place and the address from where the envelope has come.

Multiple Debit Advice Heading Section

- UNH - M 1 - Message header
This segment is used to head, identify and specify a message.
- BGM - M 1 - Beginning of message
This segment is used to indicate the type and function of a message and to transmit the identifying number.
- DTM - M 1 - Date/time/period
This segment is used to specify the date on which the Multiple Debit Advice message was created.
- BUS - C 1 - Business function
This segment is used to indicate whether all of the payments contained in the message are Domestic, European, or International.
- SG2** - C 5 - **FII**
A group of segments identifying the financial institutions involved in the multiple debit advice.
- FII - M 1 - Financial institution information
This segment is used to identify the financial institution sending the multiple debit advice.
- SG3** - C 3 - **NAD**
A group of segments identifying the name(s) and address(es) of non-financial parties involved in the transaction.
- NAD - M 1 - Name and address
This segment is used to identify the recipient of the multiple debit advice message.

Multiple Debit Advice Detail Section - Level B

- SG4** - M 9999 - **LIN-DTM-BUS-MOA-SG5-SG6-SG7-SG10**
A group of segments containing information details which are relevant to all transactions specified.
- LIN - M 1 - Line item
This segment is used to identify a line within the multiple debit advice by means of a unique line number.
- DTM - C 3 - Date/time/period
This segment is used to specify the posting and value dates for the debit instruction.
- BUS - C 1 - Business function
This segment is used to identify the characteristics of the payment detailed in level C of the message.

4. Segments Description

MOA - M 2	- Monetary amount
	This segment is used to specify the total debit amount, and/or information amount, and if necessary the relevant currency.
SG5 - M 3	- RFF
	A segment group containing references related to the payments
RFF - M 1	- Reference
	This segment is used to provide reference numbers related to the transactions contained in the message.
SG6 - M 1	- FII
	A group of segments identifying the account that has been or will be debited.
FII - M 1	- Financial institution information
	This segment is used to identify the financial institution and account information related to the ordered bank for the debit instruction.
SG7 - C 5	- FCA-MOA-SG8
	A group of segments providing full details of all charges or allowances, and associated taxes, that apply to the total amount, together with information as to who bears the charges and to which account they have been directed. Where charges are subject to taxation this may also be specified.
FCA - M 1	- Financial charges allocation
	This segment is used to identify the method for allocating charges and allowances, to a Beneficiary or Payee account. It may also identify an account where charges/ allowances should be directed when different to the primary account.
MOA - C 2	- Monetary amount
	This segment is used to specify the value of any charges or allowances associated with the transaction.
SG8 - C 6	- ALC-PCD-MOA-CUX-DTM-SG9
	A group of segments providing a detailed breakdown of all charges (or allowances) and associated charges (or allowances).
ALC - M 1	- Allowance or charge
	This segment is used to provide a breakdown of all allowances and charges associated with the transaction.
PCD - C 1	- Percentage details
	This segment is used to specify the percentage to be used when calculating the allowance or charge.
MOA - C 2	- Monetary amount
	This segment is used to specify the amount and if necessary the basis amount to be used when calculating the allowances or charges.
CUX - C 1	- Currencies
	This segment is used to provide the exchange rate related to the allowances or charges.
DTM - C 1	- Date/time/period
	This segment is used to specify the date on which a rate of exchange was quoted.
SG9 - C 5	- TAX-MOA
	A group of segments describing any taxes associated with charges and their amount.
TAX - M 1	- Duty/tax/fee details
	This segment is used to specify any taxes associated with the allowances and charges.

4. Segments Description

MOA - C 2 - Monetary amount
 This segment is used to indicate the tax or duty amount for the tax rates specified in the previous TAX segment.

Multiple Debit Advice Detail Section - Level C

SG10 - C 99999 - SEQ-DTM-BUS-FII-SG11-SG12-SG13-SG14-SG15-SG16-SG17-SG20

A segment group providing details regarding the individual transactions, such as dates, financial institutions, account numbers.

SEQ - M 1 - Sequence details

This segment is used to identify the start of the specification of individual transactions (level C) by means of a sequence number within the current line number. The sequence number should be reset to one for each occurrence of a new line number (in LIN segment).

DTM - C 3 - Date/time/period

This segment is used to specify dates relevant to the debit side of the transaction.

BUS - C 1 - Business function

This segment is used to provide information related to the type of payment represented by the debit transaction and the underlying reason for payment.

FII - M 2 - Financial institution information

This segment is used to identify the financial institution and account number of the beneficiary.

SG11 - C 5 - RFF-DTM

A group of segments containing references of other messages and transactions, with relevant date(s)/time(s).

RFF - M 1 - Reference

This segment is used to identify any references related to the debit advice.

DTM - C 1 - Date/time/period

This segment is used to specify dates relevant to the references provided in the previous RFF segment.

SG12 - C 1 - PAI

A group of segments specifying conditions, guarantees, method and channel of payment used.

PAI - M 1 - Payment instructions

This segment is used to specify the method of payment and the payment channel to be used. It is recommended that this segment is only used if no previous agreements are in place between trading partners.

SG13 - M 4 - MOA-DTM-RFF

A group of segments identifying the monetary amounts and, if necessary, the date for the amount of the transaction.

MOA - M 1 - Monetary amount

This segment is used to specify the amount which has been credited to the beneficiary's account or an amount for information purposes.

DTM - C 2 - Date/time/period

This segment is used to specify dates relevant to the preceding monetary amount or the following reference.

RFF - C 1 - Reference

This segment is used to identify a transaction negotiated between the beneficiary (or payee) and the beneficiary's bank for use by the multiple debit advice message.

4. Segments Description

SG14 - C 3	<p>- NAD-CTA-COM</p> <p>A group of segments identifying the name and address of non-financial parties involved in the message, their function and their contacts.</p>
NAD - M 1	<p>- Name and address</p> <p>This segment is used to identify the beneficiary(ies) of the transaction.</p>
CTA - C 1	<p>- Contact information</p> <p>This segment is used to provide contact details relevant for the party identified in the previous NAD segment.</p>
COM - C 5	<p>- Communication contact</p> <p>This segment is used to provide communications details relevant to the contact identified in the CTA segment.</p>
SG15 - C 3	<p>- INP-FTX-DTM</p> <p>A group of segments containing instructions relating to parties identified in the NAD and FII segments in Segment Group 2 and/or Segment Group 3. It specifies action taken or to be taken by the identified parties, and the date (and optionally time) by which such action was taken or needs to be taken.</p>
INP - M 1	<p>- Parties and instruction</p> <p>This segment is used to identify the party who must carry out an instruction from the ordering customer, and the party to whom the instruction is intended.</p>
FTX - C 1	<p>- Free text</p> <p>This segment is used to provide additional coded or free text instructions to those provided in the INP segment.</p>
DTM - C 2	<p>- Date/time/period</p> <p>This segment is used to specify the earliest and latest dates by which the instructions must be carried out.</p>
SG16 - C 10	<p>- GIS-MOA-LOC-NAD-RCS-FTX</p> <p>A group of segments providing information for subsequent use by regulatory authorities requiring statistical and other types of data. It also identifies the regulatory authority for which the information is intended followed by the information itself.</p>
GIS - M 1	<p>- General indicator</p> <p>This segment is used to indicate that the information contained in the following segments will be passed on to and processed by the central and regulatory party identified in the NAD segment.</p>
MOA - C 1	<p>- Monetary amount</p> <p>This segment is used to specify monetary amounts which must be reported to the regulatory party identified in the NAD segment.</p>
LOC - C 2	<p>- Place/location identification</p> <p>This segment is used to indicate any locations relevant to the regulatory party identified in the NAD segment.</p>
NAD - C 1	<p>- Name and address</p> <p>This segment is used to identify the central and regulatory authority specifying the regulatory information detailed in the GIS and FTX segments.</p>
RCS - C 1	<p>- Requirements and conditions</p> <p>This segment is used to indicate any requirements and conditions related to the transaction which is being reported to the regulatory authorities.</p>
FTX - C 10	<p>- Free text</p> <p>This segment is used to provide free or coded text information required by the regulatory authorities. The form and content of this segment is dependent upon the central bank or regulatory authority's requirements.</p>

4. Segments Description

SG17 - C 5	<p>- FCA-MOA-SG18</p> <p>A group of segments providing full details of all charges or allowances, and associated taxes, that apply to a particular transaction, together with information as to who bears the charges and to which account they have been directed. A total value of all charges plus allowances may be given for every account to which charges may be directed.</p>
FCA - M 1	<p>- Financial charges allocation</p> <p>This segment is used to identify the method for allocating charges and allowances, to a Beneficiary or Payee account. It may also identify an account where charges/ allowances should be directed when different to the primary account.</p>
MOA - C 2	<p>- Monetary amount</p> <p>This segment is used to specify the value of any charges or allowances associated with the transaction.</p>
SG18 - C 20	<p>- ALC-PCD-MOA-CUX-DTM-SG19</p> <p>A group of segments providing a detailed breakdown of all charges (or allowances) and associated charges (or allowances).</p>
ALC - M 1	<p>- Allowance or charge</p> <p>This segment is used to provide a breakdown of all allowances and charges associated with the transaction.</p>
PCD - C 1	<p>- Percentage details</p> <p>This segment is used to specify the percentage to be used when calculating the allowance or charge.</p>
MOA - C 2	<p>- Monetary amount</p> <p>This segment is used to specify the amount and if necessary the basis amount to be used when calculating the allowances or charges.</p>
CUX - C 1	<p>- Currencies</p> <p>This segment is used to provide the exchange rate related to the allowances or charges.</p>
DTM - C 1	<p>- Date/time/period</p> <p>This segment is used to specify the date on which a rate of exchange was quoted.</p>
SG19 - C 5	<p>- TAX-MOA</p> <p>A group of segments describing any taxes associated with charges and their amount.</p>
TAX - M 1	<p>- Duty/tax/fee details</p> <p>This segment is used to specify any taxes associated with the allowances and charges.</p>
MOA - C 2	<p>- Monetary amount</p> <p>This segment is used to indicate the tax or duty amount for the tax rates specified in the previous TAX segment.</p>
SG20 - C 1	<p>- PRC-FTX-SG21-SG27</p> <p>A group of segments containing the details of payment. The content of these segments is passed through the banking chain from the Ordering Customer to the Beneficiary.</p>
PRC - M 1	<p>- Process identification</p> <p>This segment is used to provide processing information related to the debit advice.</p>
FTX - C 5	<p>- Free text</p> <p>This segment is used to provide free or coded text information related to the processing of the payment.</p>

4. Segments Description

SG21 - C 9999	- DOC-MOA-RFF A group of segments providing details of all documents, e.g. invoices, statements, despatch advices, etc., to which the Multiple Debit Advice refers. It includes information on the monetary amounts for each document and on any adjustments (with an indication of the reason for adjustments) and discounts.
DOC - M 1	- Document/message details This segment is used to provide details of the documents, e.g. a group of invoices, to which the multiple debit advice refers.
MOA - C 5	- Monetary amount This segment is used to specify monetary amounts related to the complete document identified in the previous DOC segment.
RFF - C 5	- Reference This segment is used to provide any additional references relevant to the currently identified DOC segment.
SG27 - C 1	- GIS-MOA A group of segments indicating the end of the details of payment and specifying hash total amounts for control purposes.
GIS - M 1	- General indicator This segment is used to indicate the end of the detail of payment.
MOA - C 5	- Monetary amount This segment is used to indicate the total amount for level C for control purposes. The figure detailed here is simply an accumulation of the values specified in all MOA segments in level C regardless of the qualifiers used in DE 5025.

Multiple Debit Advice Summary Section

CNT - C 5	- Control total This segment is used to provide application data for message control purposes.
SG28 - C 5	- AUT-DTM A group of segments specifying the details of any authentication (validation) procedures applied to the DEBMUL message.
AUT - M 1	- Authentication result This segment is used to provide details of any authentication procedures which have been applied to the multiple debit order. The use of this segment is, including any algorithms and calculation procedures, dependent on bilaterally agreed conditions between the message sender and receiver.
DTM - C 1	- Date/time/period This segment is used to provide details related to the date and where necessary, the time, of the authentication procedure.
UNT - M 1	- Message trailer The UNT segment is a mandatory UN/EDIFACT segment. It must always be the last segment in the message.
UNZ - M 1	- Interchange trailer This segment is used to provide the trailer of an interchange.

5. Segments Layout

This section describes each segment used in the EANCOM® Multiple Debit Advice message. The original EDIFACT segment layout is listed. The appropriate comments relevant to the EANCOM® subset are indicated.

Notes:

1. The segments are presented in the sequence in which they appear in the message. The segment or segment group tag is followed by the (M)andatory / (C)onditional indicator, the maximum number of occurrences and the segment description.
2. Reading from left to right, in column one, the data element tags and descriptions are shown, followed by in the second column the EDIFACT status (M or C), the field format, and the picture of the data elements. These first pieces of information constitute the original EDIFACT segment layout.

Following the EDIFACT information, EANCOM® specific information is provided in the third, fourth, and fifth columns. In the third column a status indicator for the use of (C)onditional EDIFACT data elements (see 2.1 through 2.3 below), in the fourth column the restricted indicator (see point 3 on the following page), and in the fifth column notes and code values used for specific data elements in the message.

- 2.1 (M)andatory data elements in EDIFACT segments retain their status in EANCOM®.
- 2.2 Additionally, there are five types of status for data elements with a (C)onditional EDIFACT status, whether for simple, component or composite data elements. These are listed below and can be identified when relevant by the following abbreviations:

- REQUIRED	R	Indicates that the entity is required and must be sent.
- ADVISED	A	Indicates that the entity is advised or recommended.
- DEPENDENT	D	Indicates that the entity must be sent in certain conditions, as defined by the relevant explanatory note.
- OPTIONAL	O	Indicates that the entity is optional and may be sent at the discretion of the user.
- NOT USED	N	Indicates that the entity is not used and should be omitted.

- 2.3 If a composite is flagged as **N, NOT USED**, all data elements within that composite will have blank status indicators assigned to them.
3. Status indicators detailed in the fourth column which directly relate to the code values detailed in the fifth **column** may have two values:

- RESTRICTED	*	A data element marked with an asterisk (*) in the fourth column indicates that the listed codes in column five are the only codes available for use with this data element, in this segment, in this message.
- OPEN		All data elements where coded representation of data is possible and a restricted set of code values is not indicated are open (no asterisk in fourth column). The available codes are listed in the EANCOM® Data Elements and Code Sets Directory. Code values may be given as examples or there may be a note on the format or type of code to be used.

4. Different colours are used for the code values in the segment details: restricted codes are in red and open codes in blue.

5. Segments Layout

Segment number: 1

UNA - C 1 - Service string advice					
Function:					
To define the characters selected for use as delimiters and indicators in the rest of the interchange that follows.					
		EDIFACT	GS1	*	Description
UNA1	Component data element separator	M an1	M	*	Used as a separator between component data elements contained within a composite data element (default value: ".")
UNA2	Data element separator	M an1	M	*	Used to separate two simple or composite data elements (default value: "+")
UNA3	Decimal notation	M an1	M	*	Used to indicate the character used for decimal notation (default value: ".")
UNA4	Release indicator	M an1	M	*	Used to restore any service character to its original specification (value: "?").
UNA5	Reserved for future use	M an1	M	*	(default value: space)
UNA6	Segment terminator	M an1	M	*	Used to indicate the end of segment data (default value: "' '")

Segment Notes:

The service string advice shall begin with the upper case characters UNA immediately followed by six characters in the order shown below. The same character shall not be used in more than one position of the UNA.

This segment is used to inform the receiver of the interchange that a set of service string characters which are different to the default characters are being used.

When using the default set of service characters, the UNA segment need not be sent. If it is sent, it must immediately precede the UNB segment and contain the four service string characters (positions UNA1, UNA2, UNA4 and UNA6) selected by the interchange sender.

Regardless of whether or not all of the service string characters are being changed every data element within this segment must be filled, (i.e., if some default values are being used with user defined ones, both the default and user defined values must be specified).

When expressing the service string characters in the UNA segment, it is not necessary to include any element separators.

The use of the UNA segment is required when using a character set other than level A.

UNA:+.? '

5. Segments Layout

Segment number: 2

UNB - M 1 - Interchange header					
Function: To start, identify and specify an interchange.					
		EDIFACT	GS1	*	Description
S001	SYNTAX IDENTIFIER	M	M		See Part I chapter 5.2.7 and segment notes.
0001	Syntax identifier	M a4	M	*	UNOA = UN/ECE level A UNOB = UN/ECE level B UNOC = UN/ECE level C UNOD = UN/ECE level D UNOE = UN/ECE level E UNOF = UN/ECE level F
0002	Syntax version number	M n1	M	*	3 = Version 3
S002	INTERCHANGE SENDER	M	M		
0004	Sender identification	M an..35	M		GLN (n13)
0007	Partner identification code qualifier	C an..4	R	*	14 = GS1
0008	Address for reverse routing	C an..14	O		
S003	INTERCHANGE RECIPIENT	M	M		
0010	Recipient identification	M an..35	M		GLN (n13)
0007	Partner identification code qualifier	C an..4	R	*	14 = GS1
0014	Routing address	C an..14	O		
S004	DATE/TIME OF PREPARATION	M	M		
0017	Date of preparation	M n6	M		YYMMDD
0019	Time of preparation	M n4	M		HHMM
0020	Interchange control reference	M an..14	M		Unique reference identifying the interchange. Created by the interchange sender.
S005	RECIPIENT'S REFERENCE, PASSWORD	C	O		
0022	Recipient's reference/ password	M an..14	M		
0025	Recipient's reference/ password qualifier	C an2	O		
0026	Application reference	C an..14	O		Message identification if the interchange contains only one type of message.
0029	Processing priority code	C a1	O		A = Highest priority
0031	Acknowledgement request	C n1	O		1 = Requested
0032	Communications agreement ID	C an..35	O	*	EANCOM.....
0035	Test indicator	C n1	O		1 = Interchange is a test
Segment Notes:					
This segment is used to envelope the interchange, as well as to identify both, the party to whom the interchange is sent and the party who has sent the interchange. The principle of the UNB segment is the same as a physical envelope which covers one or more letters or documents, and which details, both the address where delivery is to take place and the address from where the envelope has come.					

5. Segments Layout

Segment number: 2

S001: The character encoding specified in basic code table of ISO/IEC 646 (7-bit coded character set for information interchange) shall be used for the interchange service string advice (if used) and up to and including the composite data element S001 'Syntax identifier' in the interchange header. The character repertoire used for the characters in an interchange shall be identified from the code value of data element 0001 in S001 'Syntax identifier' in the interchange header. The character repertoire identified does not apply to objects and/or encrypted data.

The default encoding technique for a particular repertoire shall be the encoding technique defined by its associated character set specification.

DE 0001: The recommended (default) character set for use in EANCOM® for international exchanges is character set A (UNOA). Should users wish to use character sets other than A, an agreement on which set to use should be reached on a bilateral basis before communications begin.

DE 0004, 0008, 0010, 0014, 0042 and 0046: Within EANCOM® the use of the Global Location Number (GLN) is recommended for the identification of the interchange sender and recipient.

DE 0008: Identification (e.g. a division) specified by the sender of the interchange, to be included if agreed, by the recipient in response interchanges, to facilitate internal routing.

DE 0042: Sub-level of sender internal identification, when further sub-level identification is required.

DE 0014: The address for routing, provided beforehand by the interchange recipient, is used by the interchange sender to inform the recipient of the internal address, within the latter's systems, to which the interchange should be routed. It is recommended that the GLN be used for this purpose.

DE 0007: Identification (e.g. a division) specified by the recipient of the interchange, to be included if agreed, by the sender in response interchanges, to facilitate internal routing.

DE 0046: Sub-level of recipient internal identification, when further sub-level identification is required.

DE S004: The date and time specified in this composite should be the date and time at which the interchange sender prepared the interchange. This date and time may not necessarily be the same as the date and time of contained messages.

DE 0020: The interchange control reference number is generated by the interchange sender and is used to identify uniquely each interchange. Should the interchange sender wish to re-use interchange control reference numbers, it is recommended that each number be preserved for at least a period of three months before being re-used. In order to guarantee uniqueness, the interchange control reference number should always be linked to the interchange sender's identification (DE 0004).

DE S005: The use of passwords must first be agreed bilaterally by the parties exchanging the interchange.

DE 0026: This data element is used to identify the application, on the interchange recipient's system, to which the interchange is directed. This data element may only be used if the interchange contains only one type of message, (e.g. only invoices). The reference used in this data element is assigned by the interchange sender.

DE 0031: This data element is used to indicate whether an acknowledgement to the interchange is required. The EANCOM® APERAK or CONTRL message should be used to provide acknowledgement of interchange receipt. In addition, the EANCOM® CONTRL message may be used to indicate when an interchange has been rejected due to syntax errors.

DE 0032: This data element is used to identify any underlying agreements which control the exchange of data. Within EANCOM®, the identity of such agreements must start with the letters 'EANCOM', the remaining characters within the data element being filled according to bilateral agreements.

UNB+UNOA:3+5412345678908:14+8798765432106:14+020102:1000+12345555++++EANCOMREF 52'

5. Segments Layout

Segment number: 3

UNH - M 1 - Message header					
Function: To head, identify and specify a message.					
		EDIFACT	GS1	*	Description
0062	Message reference number	M an..14	M		Sequence number of message in the interchange. DE 0062 in the UNT will have the same value. Sender generated.
S009	MESSAGE IDENTIFIER	M	M		
0065	Message type	M an..6	M	*	DEBMUL = Multiple debit advice message
0052	Message version number	M an..3	M	*	D = Draft version/UN/EDIFACT Directory
0054	Message release number	M an..3	M	*	01B = Release 2001 - B
0051	Controlling agency	M an..2	M	*	UN = UN/CEFACT
0057	Association assigned code	C an..6	R	*	EAN003 = GS1 version control number (GS1 Permanent Code) Indicates that the message is the EANCOM version 003 of the UNSM Multiple Debit Advice.
0068	Common access reference	C an..35	N		
S010	STATUS OF THE TRANSFER	C	N		
0070	Sequence of transfers	M n..2			
0073	First and last transfer	C a1			
<p>Segment Notes:</p> <p>This segment is used to head, identify and specify a message. DE's 0065, 0052, 0054 and 0051: Indicate that the message is a UNSM Multiple Debit Advice message based on the D.01B directory under control of the UN.</p> <p>Example: UNH+ME0000001+DEBMUL:D:01B:UN:EAN003'</p>					

5. Segments Layout

Segment number: 4

BGM - M 1 - Beginning of message					
Function: To indicate the type and function of a message and to transmit the identifying number.					
		EDIFACT	GS1	*	Description
C002	DOCUMENT/MESSAGE NAME	C	R		
1001	Document name code	C an..3	R	*	<p>338 = Items booked to a financial account report</p> <p>141 = Advising items to be booked to a financial account</p> <p>Note 1: Code value '338' in data element 1001 is used to inform the ordering customer of the fact that the items contained in this message have been booked.</p> <p>Note 2: Code value '141' in data element 1001 is used to inform the ordering customer of items which will be booked according to dates provided in the B or C level (depending on national practices).</p>
1131	Code list identification code	C an..17	N		
3055	Code list responsible agency code	C an..3	N		
1000	Document name	C an..35	N		
C106	DOCUMENT/MESSAGE IDENTIFICATION	C	R		
1004	Document identifier	C an..35	R		<p>Multiple debit advice number assigned by the document sender.</p> <p>For global unique identification of documents Global Document Type Identifier (GDTI) is available.</p>
1056	Version identifier	C an..9	N		
1060	Revision identifier	C an..6	N		
1225	Message function code	C an..3	R	*	<p>7 = Duplicate</p> <p>9 = Original</p> <p>31 = Copy</p> <p>The message function, coded is a critical data element in this segment. It applies to all data indicated in the message. The following definitions apply for the restricted codes:</p> <p>7 = Duplicate - A re-transmission involving the same parties, on the specific request of the receiver.</p> <p>9 = Original - An original transmission of a Multiple Debit Advise Message.</p>
4343	Response type code	C an..3	N		
Segment Notes:					
This segment is used to indicate the type and function of a message and to transmit the identifying number.					
Example: BGM+338+8544+9'					

5. Segments Layout

Segment number: 5

DTM - M 1 - Date/time/period		EDIFACT	GS1	*	Description
Function: To specify date, and/or time, or period.					
C507	DATE/TIME/PERIOD	M	M		
2005	Date or time or period function code qualifier	M an..3	M	*	137 = Document/message date/time
2380	Date or time or period value	C an..35	R		
2379	Date or time or period format code	C an..3	R		102 = CCYYMMDD
Segment Notes: This segment is used to specify the date on which the Multiple Debit Advice message was created. DE 2005: Identification of the 'Document/message date/time' (code value 137) is mandatory in an EANCOM message. Example: DTM+137:20020112:102'					

5. Segments Layout

Segment number: 6

BUS - C 1 - Business function					
Function:					
To provide information related to the processing and purpose of a financial message.					
		EDIFACT	GS1	*	Description
C521	BUSINESS FUNCTION	C	N		
4027	Business function type code qualifier	M an..3			
4025	Business function code	M an..3			
1131	Code list identification code	C an..17			
3055	Code list responsible agency code	C an..3			
4022	Business description	C an..70			
3279	Geographic area code	C an..3	R	*	DO = Domestic IN = International YC4 = European (SWIFT Code)
4487	Financial transaction type code	C an..3	N		
C551	BANK OPERATION	C	N		
4383	Bank operation code	M an..3			
1131	Code list identification code	C an..17			
3055	Code list responsible agency code	C an..3			
4463	Intra-company payment indicator code	C an..3	N		
Segment Notes:					
This segment is used to indicate whether all of the payments contained in the message are Domestic, European, or International.					
Example: BUS++DO'					

5. Segments Layout

Segment number: 7

SG2	- C	5 - FII			
FII	- M	1 - Financial institution information			
Function:					
To identify an account and a related financial institution.					
		EDIFACT	GS1	*	Description
3035	Party function code qualifier	M an..3	M	*	MS = Document/message issuer/sender
C078	ACCOUNT HOLDER IDENTIFICATION	C	N		
3194	Account holder identifier	C an..35			
3192	Account holder name	C an..35			
3192	Account holder name	C an..35			
6345	Currency identification code	C an..3			
C088	INSTITUTION IDENTIFICATION	C	R		
3433	Institution name code	C an..11	A		
1131	Code list identification code	C an..17	O		25 = Bank identification
3055	Code list responsible agency code	C an..3	D		5 = ISO (International Organization for Standardization)
3434	Institution branch identifier	C an..17	O		
1131	Code list identification code	C an..17	O		
3055	Code list responsible agency code	C an..3	D		
3432	Institution name	C an..70	O		
3436	Institution branch location name	C an..70	O		
3207	Country name code	C an..3	O		ISO 3166 two alpha code
Segment Notes:					
This segment is used to identify the financial institution sending the multiple debit advice.					
The preferred way to identify a bank and its branch is in machine readable format using data elements 3433 and 3434. When using C088 it is recommended that if data element 3433 is not used that 3432 be used, and that when data element 3434 is not used that data element 3436 be used.					
Example:					
FII+MS++KREDBEBB:25:5'					

5. Segments Layout

Segment number: 8

SG3	- C	3 - NAD			
NAD	- M	1 - Name and address			
Function:					
To specify the name/address and their related function, either by C082 only and/or unstructured by C058 or structured by C080 thru 3207.					
		EDIFACT	GS1	*	Description
3035	Party function code qualifier	M an..3	M	*	MR = Message recipient
C082	PARTY IDENTIFICATION DETAILS	C	A		
3039	Party identifier	M an..35	M		For identification of parties it is recommended to use GLN - Format n13.
1131	Code list identification code	C an..17	O		
3055	Code list responsible agency code	C an..3	R	*	9 = GS1
C058	NAME AND ADDRESS	C	O		This composite may only be used to fulfill the requirements of directive 2003/58/EC, article 4.
3124	Name and address description	M an..35	M		
3124	Name and address description	C an..35	O		
3124	Name and address description	C an..35	O		
3124	Name and address description	C an..35	O		
3124	Name and address description	C an..35	O		
C080	PARTY NAME	C	D		
3036	Party name	M an..35	M		Party name in clear text.
3036	Party name	C an..35	O		
3036	Party name	C an..35	O		
3036	Party name	C an..35	O		
3036	Party name	C an..35	O		
3045	Party name format code	C an..3	O		
C059	STREET	C	D		
3042	Street and number or post office box identifier	M an..35	M		Building Name/Number and Street Name
3042	Street and number or post office box identifier	C an..35	O		
3042	Street and number or post office box identifier	C an..35	O		
3042	Street and number or post office box identifier	C an..35	O		
3164	City name	C an..35	D		City/Town name, clear text
C819	COUNTRY SUB-ENTITY DETAILS	C	D		
3229	Country sub-entity name code	C an..9	O		
1131	Code list identification code	C an..17	O		
3055	Code list responsible agency code	C an..3	O		

5. Segments Layout

Segment number: 8

	EDIFACT	GS1	*	Description
3228 Country sub-entity name	C an..70	O		County/State, clear text.
3251 Postal identification code	C an..17	D		Postal code
3207 Country name code	C an..3	D		ISO 3166 two alpha code

Segment Notes:

This segment is used to identify the recipient of the multiple debit advice message.

Example:

NAD+MR+5422331123459::9'

Dependency Notes:

The following composites and data elements are only used when a coded name and address can not be used.

The affected composites and data elements are as follows;

C080 - C059 - 3164 - C819 - 3251 - 3207

5. Segments Layout

Segment number: 9

SG4	- M	9999 - LIN-DTM-BUS-MOA-SG5-SG6-SG7-SG10		
LIN	- M	1 - Line item		
Function: To identify a line item and configuration.				
	EDIFACT	GS1 *	Description	
1082	Line item identifier	C an..6	R	Application generated number of the count of the lines in the multiple debit advice.
1229	Action request/notification description code	C an..3	N	
C212	ITEM NUMBER IDENTIFICATION	C	N	
7140	Item identifier	C an..35		
7143	Item type identification code	C an..3		
1131	Code list identification code	C an..17		
3055	Code list responsible agency code	C an..3		
C829	SUB-LINE INFORMATION	C	N	
5495	Sub-line indicator code	C an..3		
1082	Line item identifier	C an..6		
1222	Configuration level number	C n..2	N	
7083	Configuration operation code	C an..3	N	
Segment Notes:				
This segment is used to identify a line within the multiple debit advice by means of a unique line number. If Global Trade Item Numbers are available it is mandatory to use GTIN within the LIN segment.				
Note on DE 1082: Numbering rule: In Part I, section 4.10 there is the recommendation "Within EANCOM® it is recommended that the line numbers used in the first occurrence of data element 1082 in the LIN segment be sequential, starting at 1 for each new message."				
LIN+1'				

5. Segments Layout

Segment number: 10

SG4	- M	9999 - LIN-DTM-BUS-MOA-SG5-SG6-SG7-SG10			
DTM	- C	3 - Date/time/period			
Function: To specify date, and/or time, or period.					
	EDIFACT	GS1	*	Description	
C507	DATE/TIME/PERIOD	M	M		
2005	Date or time or period function code qualifier	M an..3	M	*	202 = Posting date 209 = Value date
2380	Date or time or period value	C an..35	R		
2379	Date or time or period format code	C an..3	R		102 = CCYYMMDD
Segment Notes: This segment is used to specify the posting and value dates for the debit instruction. Example: DTM+209:20020112:102'					

5. Segments Layout

Segment number: 11

SG4	- M	9999 - LIN-DTM-BUS-MOA-SG5-SG6-SG7-SG10			
BUS	- C	1 - Business function			
Function:					
To provide information related to the processing and purpose of a financial message.					
	EDIFACT	GS1	*	Description	
C521	BUSINESS FUNCTION	C	O		
4027	Business function type code qualifier	M an..3	M	*	1 = Underlying business function
4025	Business function code	M an..3	M		AAN = Business expenses COM = Commission COS = Costs GDS = Purchase and sale of goods INT = Interest NET = Netting PEN = Pension TAX = Tax payment
1131	Code list identification code	C an..17	O		
3055	Code list responsible agency code	C an..3	D		9 = GS1
4022	Business description	C an..70	O		
3279	Geographic area code	C an..3	R	*	DO = Domestic IN = International YC4 = European (SWIFT Code)
4487	Financial transaction type code	C an..3	O	*	1 = Clean payment 4 = Documentary payment 5 = Irrevocable documentary credit 6 = Revocable documentary credit 7 = Irrevocable and transferable documentary credit 8 = Revocable and transferable documentary credit
C551	BANK OPERATION	C	N		
4383	Bank operation code	M an..3			
1131	Code list identification code	C an..17			
3055	Code list responsible agency code	C an..3			
4463	Intra-company payment indicator code	C an..3	N		
Segment Notes:					
This segment is used to identify the characteristics of the payment detailed in level C of the message. When this segment is not used the message defaults to a non-intra company clean payment national payment.					
Example: BUS+1:GDS+DO'					

5. Segments Layout

Segment number: 12

SG4	- M	9999 - LIN-DTM-BUS-MOA-SG5-SG6-SG7-SG10			
MOA	- M	2 - Monetary amount			
Function: To specify a monetary amount.					
	EDIFACT	GS1	*	Description	
C516	MONETARY AMOUNT	M	M		
5025	Monetary amount type code qualifier	M an..3	M	*	60 = Final (posted) amount 349 = Pending amount to be booked on account (SWIFT Code) XB5 = Information amount (SWIFT Code)
5004	Monetary amount	C n..35	R		
6345	Currency identification code	C an..3	O		ISO 4217 three alpha code
6343	Currency type code qualifier	C an..3	N		
4405	Status description code	C an..3	O		4 = Final 5 = Subject to final payment
Segment Notes: This segment is used to specify the total debit amount, and/or information amount, and if necessary the relevant currency. Example: MOA+349:50000'					

5. Segments Layout

Segment number: 13

SG4	- M	9999 - LIN-DTM-BUS-MOA-SG5-SG6-SG7-SG10			
SG5	- M	3 - RFF			
RFF	- M	1 - Reference			
Function: To specify a reference.					
		EDIFACT	GS1	*	Description
C506	REFERENCE	M	M		
1153	Reference code qualifier	M an..3	M		ACK = Bank reference The code value 'ACK' is generated by the ordering customer's bank to identify the debit entry.
1154	Reference identifier	C an..70	R		
1156	Document line identifier	C an..6	N		
4000	Reference version identifier	C an..35	N		
1060	Revision identifier	C an..6	N		
Segment Notes: This segment is used to provide reference numbers related to the transactions contained in the message. Example: RFF+ACK:77212'					

5. Segments Layout

Segment number: 14

SG4	- M	9999 - LIN-DTM-BUS-MOA-SG5-SG6-SG7-SG10			
SG6	- M	1 - FII			
FII	- M	1 - Financial institution information			
Function: To identify an account and a related financial institution.					
		EDIFACT	GS1	*	Description
3035	Party function code qualifier	M an..3	M	*	OR = Ordered bank
C078	ACCOUNT HOLDER IDENTIFICATION	C	R		
3194	Account holder identifier	C an..35	R		Account number being debited.
3192	Account holder name	C an..35	O		
3192	Account holder name	C an..35	O		
6345	Currency identification code	C an..3	O		ISO 4217 three alpha
C088	INSTITUTION IDENTIFICATION	C	D		In some countries it is possible to identify within the account number the institution name and branch. Where this is possible the composite C088 will not be required. For international transactions it is recommended that the need for composite C088 should be checked before sending the message.
3433	Institution name code	C an..11	O		
1131	Code list identification code	C an..17	O		25 = Bank identification
3055	Code list responsible agency code	C an..3	D		5 = ISO (International Organization for Standardization)
3434	Institution branch identifier	C an..17	O		
1131	Code list identification code	C an..17	O		
3055	Code list responsible agency code	C an..3	D		
3432	Institution name	C an..70	O		
3436	Institution branch location name	C an..70	O		
3207	Country name code	C an..3	O		ISO 3166 two alpha code
Segment Notes:					
This segment is used to identify the financial institution and account information related to the ordered bank for the debit instruction.					
The preferred way to identify a bank and its branch is in machine readable format using data elements 3433 and 3434. When using C088 it is recommended that if data element 3433 is not used that 3432 be used, and that when data element 3434 is not used that data element 3436 be used.					
Example: FII+OR+994-3277711:N GEISS+KREDBEBB:25:5'					

5. Segments Layout

Segment number: 15

SG4	- M	9999 - LIN-DTM-BUS-MOA-SG5-SG6-SG7-SG10			
SG7	- C	5 - FCA-MOA-SG8			
FCA	- M	1 - Financial charges allocation			
Function:					
Description of allocation of charges.					
	EDIFACT	GS1	*	Description	
4471	Settlement means code	M an..3	M	*	13 = All charges borne by payee 14 = Each pay own cost 15 = All charges borne by payor
C878	CHARGE/ALLOWANCE ACCOUNT	C	O		
3434	Institution branch identifier	M an..17	M		
1131	Code list identification code	C an..17	O		25 = Bank identification 154 = Bank branch sorting identification
3055	Code list responsible agency code	C an..3	D		5 = ISO (International Organization for Standardization)
3194	Account holder identifier	C an..35	O		If this data element is not used the primary account (i.e. the ordered bank account) specified in the FII segment should be used.
6345	Currency identification code	C an..3	O		ISO 4217 three alpha
Segment Notes:					
This segment is used to identify the method for allocating charges and allowances, to a Beneficiary or Payee account. It may also identify an account where charges/allowances should be directed when different to the primary account.					
Example: FCA+15+DRESDEFF666:25:5'					

5. Segments Layout

Segment number: 16

SG4	- M	9999 - LIN-DTM-BUS-MOA-SG5-SG6-SG7-SG10			
SG7	- C	5 - FCA-MOA-SG8			
MOA	- C	2 - Monetary amount			
Function: To specify a monetary amount.					
		EDIFACT	GS1	*	Description
C516	MONETARY AMOUNT	M	M		
5025	Monetary amount type code qualifier	M an..3	M		259 = Total charges 260 = Total allowances
5004	Monetary amount	C n..35	R		
6345	Currency identification code	C an..3	O		ISO 4217 three alpha code
6343	Currency type code qualifier	C an..3	N		
4405	Status description code	C an..3	N		
Segment Notes: This segment is used to specify the value of any charges or allowances associated with the transaction. Example: MOA+259:150'					

5. Segments Layout

Segment number: 17

SG4	- M	9999 - LIN-DTM-BUS-MOA-SG5-SG6-SG7-SG10
SG7	- C	5 - FCA-MOA-SG8
SG8	- C	6 - ALC-PCD-MOA-CUX-DTM-SG9
ALC	- M	1 - Allowance or charge

Function:
 To identify allowance or charge details.

	EDIFACT	GS1	*	Description
5463	Allowance or charge code qualifier	M an..3	M	A = Allowance C = Charge
C552	ALLOWANCE/CHARGE INFORMATION	C	O	
1230	Allowance or charge identifier	C an..35	D	If code '69' is used in DE 5189, the agreement number must be specified in DE 1230.
5189	Allowance or charge identification code	C an..3	O	1 = Handling commission 13 = Domiciliation commission 30 = Bank charges 69 = Charge for a customer specific finish
4471	Settlement means code	C an..3	N	
1227	Calculation sequence code	C an..3	D	If the allowance or charge is not to be applied against a fixed price then the calculation sequence indicator must be included.
C214	SPECIAL SERVICES IDENTIFICATION	C	O	
7161	Special service description code	C an..3	A	
1131	Code list identification code	C an..17	O	
3055	Code list responsible agency code	C an..3	D	
7160	Special service description	C an..35	O	
7160	Special service description	C an..35	O	

Segment Notes:
 This segment is used to provide a breakdown of all allowances and charges associated with the transaction.

Example:
 ALC+C+:1'

5. Segments Layout

Segment number: 18

SG4	- M	9999 - LIN-DTM-BUS-MOA-SG5-SG6-SG7-SG10			
SG7	- C	5 - FCA-MOA-SG8			
SG8	- C	6 - ALC-PCD-MOA-CUX-DTM-SG9			
PCD	- C	1 - Percentage details			
Function:					
To specify percentage information.					
		EDIFACT	GS1	*	Description
C501	PERCENTAGE DETAILS	M	M		
5245	Percentage type code qualifier	M an..3	M		3 = Allowance or charge
5482	Percentage	C n..10	R		
5249	Percentage basis identification code	C an..3	O		
1131	Code list identification code	C an..17	O		
3055	Code list responsible agency code	C an..3	D		
4405	Status description code	C an..3	N		
Segment Notes:					
This segment is used to specify the percentage to be used when calculating the allowance or charge.					
Example:					
PCD+3:4.23'					

5. Segments Layout

Segment number: 19

SG4	- M	9999 - LIN-DTM-BUS-MOA-SG5-SG6-SG7-SG10
SG7	- C	5 - FCA-MOA-SG8
SG8	- C	6 - ALC-PCD-MOA-CUX-DTM-SG9
MOA	- C	2 - Monetary amount

Function:
 To specify a monetary amount.

	EDIFACT	GS1	*	Description
C516	MONETARY AMOUNT	M	M	
5025	Monetary amount type code qualifier	M an..3	M	8 = Allowance or charge amount 25 = Charge/allowance basis
5004	Monetary amount	C n..35	R	
6345	Currency identification code	C an..3	O	
6343	Currency type code qualifier	C an..3	N	
4405	Status description code	C an..3	N	

Segment Notes:
 This segment is used to specify the amount and if necessary the basis amount to be used when calculating the allowances or charges.

Example:
 MOA+8:1400'

5. Segments Layout

Segment number: 20

SG4	- M	9999 - LIN-DTM-BUS-MOA-SG5-SG6-SG7-SG10
SG7	- C	5 - FCA-MOA-SG8
SG8	- C	6 - ALC-PCD-MOA-CUX-DTM-SG9
CUX	- C	1 - Currencies

Function:

To specify currencies used in the transaction and relevant details for the rate of exchange.

	EDIFACT	GS1	*	Description
C504 CURRENCY DETAILS	C	R		
6347 Currency usage code qualifier	M an..3	M	*	2 = Reference currency
6345 Currency identification code	C an..3	R		ISO 4217 three alpha
6343 Currency type code qualifier	C an..3	R	*	11 = Payment currency
6348 Currency rate value	C n..4	D		
C504 CURRENCY DETAILS	C	D		The second occurrence of this composite is only used if a target currency is being specified.
6347 Currency usage code qualifier	M an..3	M	*	3 = Target currency
6345 Currency identification code	C an..3	R		ISO 4217 three alpha
6343 Currency type code qualifier	C an..3	R	*	4 = Invoicing currency 17 = Charge calculation currency
6348 Currency rate value	C n..4	D		
5402 Currency exchange rate	C n..12	D		The rate of exchange which applies to the currency. The rate of exchange is only used if a target currency has been identified in the second occurrence of C504.
6341 Exchange rate currency market identifier	C an..3	N		

Segment Notes:

This segment is used to provide the exchange rate related to the allowances or charges.

The CUX segment is mandatory for international exchanges.

When specifying Reference and Target Currencies for international trade, one occurrence of CUX is all that is required. The reference currency is identified in the first occurrence of composite C504, with the target currency specified in the second occurrence of C504. The rate of exchange between the two is detailed in DE 5402.

The general rule for calculating rate of exchange is as follows;

Reference Currency multiplied by Rate = Target Currency.

Example:

CUX+2:EUR:11+3:USD:4+0.90243'

For an international transaction, the payment currency is identified as being Euro with the Invoicing currency as US Dollar. The rate of exchange between the two is 0.90243 Euro to 1 US Dollar.

Dependency Notes:

6348: This data element are only used when a rate of exchange is provided in data element 5402. When a rate of exchange is provided then at least one currency rate base must be specified.

5. Segments Layout

Segment number: 21

SG4	- M	9999 - LIN-DTM-BUS-MOA-SG5-SG6-SG7-SG10
SG7	- C	5 - FCA-MOA-SG8
SG8	- C	6 - ALC-PCD-MOA-CUX-DTM-SG9
DTM	- C	1 - Date/time/period

Function:
 To specify date, and/or time, or period.

	EDIFACT	GS1	*	Description
C507	DATE/TIME/PERIOD	M	M	
2005	Date or time or period function code qualifier	M an..3	M *	134 = Rate of exchange date/time 211 = 360/30 212 = 360/28-31 213 = 365-6/30 214 = 365-6/28-31 215 = 365/28-31 216 = 365/30 273 = Validity period Code 211 - Calculation is based on year of 360 days, month of 30 days. Code 212 - Calculation is based on year of 360 days, month of 28-31 days. Code 213 - Calculation is based on year of 365-6 days, month of 30 days. Code 214 - Calculation is based on year of 365-6 days, month of 28-31 days. Code 215 - Calculation is based on year of 365 days, month of 28-31 days. Code 216 - Calculation is based on year of 365 days, month of 30 days.
2380	Date or time or period value	C an..35	R	
2379	Date or time or period format code	C an..3	R	102 = CCYYMMDD 107 = DDD 718 = CCYYMMDD-CCYYMMDD

Segment Notes:
 This segment is used to specify the date on which a rate of exchange was quoted.

Example:
 DTM+134:19950601:102'

5. Segments Layout

Segment number: 22

SG4	- M	9999 - LIN-DTM-BUS-MOA-SG5-SG6-SG7-SG10
SG7	- C	5 - FCA-MOA-SG8
SG8	- C	6 - ALC-PCD-MOA-CUX-DTM-SG9
SG9	- C	5 - TAX-MOA
TAX	- M	1 - Duty/tax/fee details

Function:

To specify relevant duty/tax/fee information.

		EDIFACT	GS1	*	Description
5283	Duty or tax or fee function code qualifier	M an..3	M		5 = Customs duty 6 = Fee 7 = Tax
C241	DUTY/TAX/FEE TYPE	C	D		
5153	Duty or tax or fee type name code	C an..3	O		GST = Goods and services tax OTH = Other taxes VAT = Value added tax
1131	Code list identification code	C an..17	O		
3055	Code list responsible agency code	C an..3	D		
5152	Duty or tax or fee type name	C an..35	O		
C533	DUTY/TAX/FEE ACCOUNT DETAIL	C	O		
5289	Duty or tax or fee account code	M an..6	M		
1131	Code list identification code	C an..17	O		
3055	Code list responsible agency code	C an..3	D		
5286	Duty or tax or fee assessment basis value	C an..15	O		
C243	DUTY/TAX/FEE DETAIL	C	A		
5279	Duty or tax or fee rate code	C an..7	O		
1131	Code list identification code	C an..17	O		
3055	Code list responsible agency code	C an..3	D		
5278	Duty or tax or fee rate	C an..17	R		The actual rate of tax/duty.
5273	Duty or tax or fee rate basis code	C an..12	O		
1131	Code list identification code	C an..17	O		
3055	Code list responsible agency code	C an..3	D		
5305	Duty or tax or fee category code	C an..3	D		A = Mixed tax rate E = Exempt from tax S = Standard rate
3446	Party tax identifier	C an..20	O		
1227	Calculation sequence code	C an..3	N		

Segment Notes:

5. Segments Layout

Segment number: 22

This segment is used to specify any taxes associated with the allowances and charges.

Example:

TAX+7+VAT+++:::18.5+S'

Dependency Notes:

DE C241 and 5305: Tax types and categories will vary from country to country. They should be defined by national guidelines.

5. Segments Layout

Segment number: 23

SG4	- M	9999 - LIN-DTM-BUS-MOA-SG5-SG6-SG7-SG10
SG7	- C	5 - FCA-MOA-SG8
SG8	- C	6 - ALC-PCD-MOA-CUX-DTM-SG9
SG9	- C	5 - TAX-MOA
MOA	- C	2 - Monetary amount

Function:
 To specify a monetary amount.

		EDIFACT	GS1	*	Description
C516	MONETARY AMOUNT	M	M		
5025	Monetary amount type code qualifier	M an..3	M		55 = Duty amount 56 = Duty/tax/fee basis amount 161 = Duty, tax or fee amount
5004	Monetary amount	C n..35	R		
6345	Currency identification code	C an..3	O		
6343	Currency type code qualifier	C an..3	N		
4405	Status description code	C an..3	N		

Segment Notes:
 This segment is used to indicate the tax or duty amount for the tax rates specified in the previous TAX segment.

Example:
 MOA+55:6500'

5. Segments Layout

Segment number: 24

SG4	- M	9999 - LIN-DTM-BUS-MOA-SG5-SG6-SG7-SG10
SG10	- C	99999 - SEQ-DTM-BUS-FII-SG11-SG12-SG13-SG14-SG15-SG16-SG17-SG20
SEQ	- M	1 - Sequence details

Function:
 To provide details relating to the sequence.

	EDIFACT	GS1	*	Description
1229	Action request/notification description code	C an..3	N	
C286	SEQUENCE INFORMATION	C	R	
1050	Sequence position identifier	M an..10	M	
1159	Sequence identifier source code	C an..3	N	
1131	Code list identification code	C an..17	N	
3055	Code list responsible agency code	C an..3	N	

Segment Notes:
 This segment is used to identify the start of the specification of individual transactions (level C) by means of a sequence number within the current line number. The sequence number should be reset to one for each occurrence of a new line number (in LIN segment).

Example:
 SEQ++1'

5. Segments Layout

Segment number: 25

SG4	- M	9999 - LIN-DTM-BUS-MOA-SG5-SG6-SG7-SG10
SG10	- C	99999 - SEQ-DTM-BUS-FII-SG11-SG12-SG13-SG14-SG15-SG16-SG17-SG20
DTM	- C	3 - Date/time/period

Function:

To specify date, and/or time, or period.

		EDIFACT	GS1	*	Description
C507	DATE/TIME/PERIOD	M	M		
2005	Date or time or period function code qualifier	M an..3	M	*	193 = Execution date 202 = Posting date 209 = Value date
2380	Date or time or period value	C an..35	R		
2379	Date or time or period format code	C an..3	R		102 = CCYYMMDD

Segment Notes:

This segment is used to specify dates relevant to the debit side of the transaction.

Example:

DTM+202:20020115:102'

5. Segments Layout

Segment number: 26

SG4	- M	9999 - LIN-DTM-BUS-MOA-SG5-SG6-SG7-SG10			
SG10	- C	99999 - SEQ-DTM-BUS-FII-SG11-SG12-SG13-SG14-SG15-SG16-SG17-SG20			
BUS	- C	1 - Business function			
Function: To provide information related to the processing and purpose of a financial message.					
		EDIFACT	GS1	*	Description
C521	BUSINESS FUNCTION	C	O		
4027	Business function type code qualifier	M an..3	M	*	1 = Underlying business function
4025	Business function code	M an..3	M		COM = Commission COS = Costs GDS = Purchase and sale of goods INT = Interest TAX = Tax payment
1131	Code list identification code	C an..17	O		
3055	Code list responsible agency code	C an..3	D		
4022	Business description	C an..70	N		
3279	Geographic area code	C an..3	R	*	DO = Domestic IN = International YC4 = European (SWIFT Code)
4487	Financial transaction type code	C an..3	O	*	1 = Clean payment 4 = Documentary payment 5 = Irrevocable documentary credit 6 = Revocable documentary credit 7 = Irrevocable and transferable documentary credit 8 = Revocable and transferable documentary credit
C551	BANK OPERATION	C	N		
4383	Bank operation code	M an..3			
1131	Code list identification code	C an..17			
3055	Code list responsible agency code	C an..3			
4463	Intra-company payment indicator code	C an..3	N		
Segment Notes: This segment is used to provide information related to the type of payment represented by the debit transaction and the underlying reason for payment. Example: BUS+1:GDS+IN+1'					

5. Segments Layout

Segment number: 27

SG4	- M	9999 - LIN-DTM-BUS-MOA-SG5-SG6-SG7-SG10			
SG10	- C	99999 - SEQ-DTM-BUS-FII-SG11-SG12-SG13-SG14-SG15-SG16-SG17-SG20			
FII	- M	2 - Financial institution information			
Function: To identify an account and a related financial institution.					
		EDIFACT	GS1	*	Description
3035	Party function code qualifier	M an..3	M	*	BF = Beneficiary's bank BQ = Cheque drawn bank I1 = Intermediary bank 1
C078	ACCOUNT HOLDER IDENTIFICATION	C	D		When payment is being made by cheque the account details for the beneficiary are not required.
3194	Account holder identifier	C an..35	R		Beneficiary account number.
3192	Account holder name	C an..35	O		
3192	Account holder name	C an..35	O		
6345	Currency identification code	C an..3	O		ISO 4217 three alpha
C088	INSTITUTION IDENTIFICATION	C	D		In some countries it is possible to identify within the account number the institution name and branch. Where this is possible the composite C088 will not be required. For international transactions it is recommended that the need for composite C088 should be checked before sending the message. When using C088 it is recommended that if data element 3433 is not used that 3432 be used, and that when data element 3434 is not used that data element 3436 be used.
3433	Institution name code	C an..11	A		
1131	Code list identification code	C an..17	O		25 = Bank identification
3055	Code list responsible agency code	C an..3	D		5 = ISO (International Organization for Standardization)
3434	Institution branch identifier	C an..17	O		
1131	Code list identification code	C an..17	O		
3055	Code list responsible agency code	C an..3	D		
3432	Institution name	C an..70	O		
3436	Institution branch location name	C an..70	O		
3207	Country name code	C an..3	O		ISO 3166 two alpha code
Segment Notes: This segment is used to identify the financial institution and account number of the beneficiary. Example: FII+BF+994-3277711:N GEISS+KREDBEBB:25:5'					

5. Segments Layout

Segment number: 28

SG4	- M	9999 - LIN-DTM-BUS-MOA-SG5-SG6-SG7-SG10
SG10	- C	99999 - SEQ-DTM-BUS-FII-SG11-SG12-SG13-SG14-SG15-SG16-SG17-SG20
SG11	- C	5 - RFF-DTM
RFF	- M	1 - Reference

Function:
 To specify a reference.

	EDIFACT	GS1	*	Description
C506 REFERENCE	M	M		
1153 Reference code qualifier	M an..3	M		AEK = Payment order number AIK = Bank's individual transaction reference number CR = Customer reference number The code value 'AEK' is used by the ordering customer to uniquely identify each level B of the ordering message (Payment Order). The value put in here should the same as that put in the RFF segment at level B of the ordering message. The code value 'AIK' is used by the sending bank to uniquely identify each individual debit entry. The code value 'CR' is used by the ordering customer to uniquely identify each level C of the ordering message (Payment Order). The value put in here should the same as that put in the RFF segment at level C of the ordering message.
1154 Reference identifier	C an..70	R		
1156 Document line identifier	C an..6	N		
4000 Reference version identifier	C an..35	N		
1060 Revision identifier	C an..6	N		

Segment Notes:
 This segment is used to identify any references related to the debit advice.

Example:
 RFF+CR:855144'

5. Segments Layout

Segment number: 29

SG4	- M	9999 - LIN-DTM-BUS-MOA-SG5-SG6-SG7-SG10
SG10	- C	99999 - SEQ-DTM-BUS-FII-SG11-SG12-SG13-SG14-SG15-SG16-SG17-SG20
SG11	- C	5 - RFF-DTM
DTM	- C	1 - Date/time/period

Function:

To specify date, and/or time, or period.

		EDIFACT	GS1	*	Description
C507	DATE/TIME/PERIOD	M	M		
2005	Date or time or period function code qualifier	M an..3	M	*	171 = Reference date/time
2380	Date or time or period value	C an..35	R		
2379	Date or time or period format code	C an..3	R		102 = CCYYMMDD

Segment Notes:

This segment is used to specify dates relevant to the references provided in the previous RFF segment.

Example:

DTM+171:20020115:102'

5. Segments Layout

Segment number: 30

SG4	- M	9999 - LIN-DTM-BUS-MOA-SG5-SG6-SG7-SG10
SG10	- C	99999 - SEQ-DTM-BUS-FII-SG11-SG12-SG13-SG14-SG15-SG16-SG17-SG20
SG12	- C	1 - PAI
PAI	- M	1 - Payment instructions

Function:

To specify the instructions for payment.

		EDIFACT	GS1	*	Description
C534	PAYMENT INSTRUCTION DETAILS	M	M		
4439	Payment conditions code	C an..3	N		
4431	Payment guarantee means code	C an..3	N		
4461	Payment means code	C an..3	R		10 = In cash 21 = Banker's draft 23 = Bank cheque (issued by a banking or similar establishment) 26 = Local cheque 30 = Credit transfer 50 = Payment by postgiro
1131	Code list identification code	C an..17	O		
3055	Code list responsible agency code	C an..3	D		
4435	Payment channel code	C an..3	R		2 = Air mail 4 = Telex 5 = S.W.I.F.T. 8 = Fedwire 9 = Personal (face-to-face) 11 = Registered mail

Segment Notes:

This segment is used to specify the method of payment and the payment channel to be used. It is recommended that this segment is only used if no previous agreements are in place between trading partners.

Example:

PAI+::30:::5'

5. Segments Layout

Segment number: 31

SG4	- M	9999 - LIN-DTM-BUS-MOA-SG5-SG6-SG7-SG10
SG10	- C	99999 - SEQ-DTM-BUS-FII-SG11-SG12-SG13-SG14-SG15-SG16-SG17-SG20
SG13	- M	4 - MOA-DTM-RFF
MOA	- M	1 - Monetary amount

Function:

To specify a monetary amount.

		EDIFACT	GS1	*	Description
C516	MONETARY AMOUNT	M	M		
5025	Monetary amount type code qualifier	M an..3	M	*	60 = Final (posted) amount 349 = Pending amount to be booked on account (SWIFT Code) XB5 = Information amount (SWIFT Code)
5004	Monetary amount	C n..35	R		
6345	Currency identification code	C an..3	O		ISO 4217 three alpha code
6343	Currency type code qualifier	C an..3	N		
4405	Status description code	C an..3	O		4 = Final 5 = Subject to final payment

Segment Notes:

This segment is used to specify the amount which has been credited to the beneficiary's account or an amount for information purposes.

Example:

MOA+349:8000'

5. Segments Layout

Segment number: 32

SG4	- M	9999 - LIN-DTM-BUS-MOA-SG5-SG6-SG7-SG10
SG10	- C	99999 - SEQ-DTM-BUS-FII-SG11-SG12-SG13-SG14-SG15-SG16-SG17-SG20
SG13	- M	4 - MOA-DTM-RFF
DTM	- C	2 - Date/time/period

Function:

To specify date, and/or time, or period.

		EDIFACT	GS1	*	Description
C507	DATE/TIME/PERIOD	M	M		
2005	Date or time or period function code qualifier	M an..3	M	*	134 = Rate of exchange date/time 171 = Reference date/time
2380	Date or time or period value	C an..35	R		
2379	Date or time or period format code	C an..3	R		102 = CCYYMMDD

Segment Notes:

This segment is used to specify dates relevant to the preceding monetary amount or the following reference.

Example:

DTM+171:20020115:102'

5. Segments Layout

Segment number: 33

SG4	- M	9999 - LIN-DTM-BUS-MOA-SG5-SG6-SG7-SG10
SG10	- C	99999 - SEQ-DTM-BUS-FII-SG11-SG12-SG13-SG14-SG15-SG16-SG17-SG20
SG13	- M	4 - MOA-DTM-RFF
RFF	- C	1 - Reference

Function:
 To specify a reference.

	EDIFACT	GS1	*	Description
C506 REFERENCE	M	M		
1153 Reference code qualifier	M an..3	M	*	ACX = Banker's acceptance ADB = Matured certificate of deposit ADC = Loan FX = Foreign exchange contract number
1154 Reference identifier	C an..70	R		
1156 Document line identifier	C an..6	N		
4000 Reference version identifier	C an..35	N		
1060 Revision identifier	C an..6	N		

Segment Notes:
 This segment is used to identify a transaction negotiated between the beneficiary (or payee) and the beneficiary's bank for use by the multiple debit advice message.

Example:
 RFF+FX:855144'

5. Segments Layout

Segment number: 34

SG4	- M	9999 - LIN-DTM-BUS-MOA-SG5-SG6-SG7-SG10
SG10	- C	99999 - SEQ-DTM-BUS-FII-SG11-SG12-SG13-SG14-SG15-SG16-SG17-SG20
SG14	- C	3 - NAD-CTA-COM
NAD	- M	1 - Name and address

Function:
 To specify the name/address and their related function, either by C082 only and/or unstructured by C058 or structured by C080 thru 3207.

	EDIFACT	GS1	*	Description
3035	Party function code qualifier	M an..3	M	BE = Beneficiary P1 = Contact party 1
C082	PARTY IDENTIFICATION DETAILS	C	A	
3039	Party identifier	M an..35	M	For identification of parties it is recommended to use GLN - Format n13.
1131	Code list identification code	C an..17	O	
3055	Code list responsible agency code	C an..3	R	* 9 = GS1
C058	NAME AND ADDRESS	C	O	This composite may only be used to fulfill the requirements of directive 2003/58/EC, article 4.
3124	Name and address description	M an..35	M	
3124	Name and address description	C an..35	O	
3124	Name and address description	C an..35	O	
3124	Name and address description	C an..35	O	
3124	Name and address description	C an..35	O	
C080	PARTY NAME	C	D	
3036	Party name	M an..35	M	Party name in clear text.
3036	Party name	C an..35	O	
3036	Party name	C an..35	O	
3036	Party name	C an..35	O	
3036	Party name	C an..35	O	
3045	Party name format code	C an..3	O	
C059	STREET	C	D	
3042	Street and number or post office box identifier	M an..35	M	Building Name/Number and Street Name
3042	Street and number or post office box identifier	C an..35	O	
3042	Street and number or post office box identifier	C an..35	O	
3042	Street and number or post office box identifier	C an..35	O	
3164	City name	C an..35	D	City/Town name, clear text
C819	COUNTRY SUB-ENTITY DETAILS	C	D	
3229	Country sub-entity name code	C an..9	O	

5. Segments Layout

Segment number: 34

	EDIFACT	GS1	*	Description
1131 Code list identification code	C an..17	O		
3055 Code list responsible agency code	C an..3	O		
3228 Country sub-entity name	C an..70	O		County/State, clear text.
3251 Postal identification code	C an..17	D		Postal code
3207 Country name code	C an..3	D		ISO two alpha code

Segment Notes:

This segment is used to identify the beneficiary(ies) of the transaction.

Example:

NAD+BE+++TOWER PACKAGING LTD'

Dependency Notes:

The following composites and data elements are only used when a coded name and address can not be used.

The affected composites and data elements are as follows;

C080 - C059 - 3164 - C819 - 3251 - 3207

5. Segments Layout

Segment number: 35

SG4	- M	9999 - LIN-DTM-BUS-MOA-SG5-SG6-SG7-SG10
SG10	- C	99999 - SEQ-DTM-BUS-FII-SG11-SG12-SG13-SG14-SG15-SG16-SG17-SG20
SG14	- C	3 - NAD-CTA-COM
CTA	- C	1 - Contact information

Function:

To identify a person or a department to whom communication should be directed.

		EDIFACT	GS1	*	Description
3139	Contact function code	C an..3	R		IC = Information contact
C056	DEPARTMENT OR EMPLOYEE DETAILS	C	O		
3413	Department or employee name code	C an..17	O		
3412	Department or employee name	C an..35	O		

Segment Notes:

This segment is used to provide contact details relevant for the party identified in the previous NAD segment.

Example:

CTA+IC+:T. WRIGHT'

5. Segments Layout

Segment number: 36

SG4	- M	9999 - LIN-DTM-BUS-MOA-SG5-SG6-SG7-SG10
SG10	- C	99999 - SEQ-DTM-BUS-FII-SG11-SG12-SG13-SG14-SG15-SG16-SG17-SG20
SG14	- C	3 - NAD-CTA-COM
COM	- C	5 - Communication contact

Function:
 To identify a communication number of a department or a person to whom communication should be directed.

	EDIFACT	GS1	*	Description
C076 COMMUNICATION CONTACT	M	M		
3148 Communication address identifier	Man..512	M		
3155 Communication address code qualifier	Man..3	M		AO = Uniform Resource Location (URL) CA = Cable address EI = EDI EM = Electronic mail TE = Telephone

Segment Notes:
 This segment is used to provide communications details relevant to the contact identified in the CTA segment.

Example:
 COM+003212187674:FX'

5. Segments Layout

Segment number: 37

SG4	- M	9999 - LIN-DTM-BUS-MOA-SG5-SG6-SG7-SG10
SG10	- C	99999 - SEQ-DTM-BUS-FII-SG11-SG12-SG13-SG14-SG15-SG16-SG17-SG20
SG15	- C	3 - INP-FTX-DTM
INP	- M	1 - Parties and instruction

Function:
 To specify parties to an instruction, the instruction, or both.

	EDIFACT	GS1	*	Description
C849 PARTIES TO INSTRUCTION	C	A		
3301 Enacting party identifier	M an..35	M		3 = Beneficiary's bank
3285 Instruction receiving party identifier	C an..35	O		4 = Beneficiary 5 = Contact party 1
C522 INSTRUCTION	C	O		
4403 Instruction type code qualifier	M an..3	M		1 = Action required
4401 Instruction description code	C an..3	O		AD = Advise AP = Advise by phone AJ = Advise by fax (SWIFT Code) EX = Expedite
1131 Code list identification code	C an..17	O		
3055 Code list responsible agency code	C an..3	D		
4400 Instruction description	C an..35	N		
C850 STATUS OF INSTRUCTION	C	N		
4405 Status description code	M an..3			
3036 Party name	C an..35			
1229 Action request/notification description code	C an..3	N		

Segment Notes:
 This segment is used to identify the party who must carry out an instruction from the ordering customer, and the party to whom the instruction is intended.
 DE's 3301 and 3285: As these data elements are being used to provide coded information it is recommended that their format and length be restricted to an..3.

Example:
 INP+3:4+1:AP'

5. Segments Layout

Segment number: 38

SG4	- M	9999 - LIN-DTM-BUS-MOA-SG5-SG6-SG7-SG10
SG10	- C	99999 - SEQ-DTM-BUS-FII-SG11-SG12-SG13-SG14-SG15-SG16-SG17-SG20
SG15	- C	3 - INP-FTX-DTM
FTX	- C	1 - Free text

Function:
 To provide free form or coded text information.

	EDIFACT	GS1	*	Description
4451	Text subject code qualifier	M an..3	M	AAG = Party instructions
4453	Free text function code	C an..3	N	
C107	TEXT REFERENCE	C	D	This composite is only used when trading partners have agreed to use mutually defined code values.
4441	Free text value code	M an..17	M	Coded reference to standard text between partners.
1131	Code list identification code	C an..17	O	
3055	Code list responsible agency code	C an..3	D	86 = Assigned by party originating the message
C108	TEXT LITERAL	C	D	This composite is only used if coded text can not be used.
4440	Free text value	M an..512	M	
4440	Free text value	C an..512	O	
4440	Free text value	C an..512	O	
4440	Free text value	C an..512	O	
4440	Free text value	C an..512	O	
3453	Language name code	C an..3	D	ISO 639 two alpha code. This data element is only used when non coded free text has been provided in data element C108.
4447	Free text format code	C an..3	N	

Segment Notes:
 This segment is used to provide additional coded or free text instructions to those provided in the INP segment. Use of this segment in free form is not recommended since in most cases it inhibits automatic processing of the multiple debit advice. Coded references to standard texts is an available functionality which enables automatic processing and reduces transmission and processing overheads. Standard texts should be mutually defined among trading partners and can be used to cover legal and other requirements.

Example:
 FTX+AAG+++FUNDS TRANSFERRED TO NUMBER 1 ACCOUNT'

5. Segments Layout

Segment number: 39

SG4	- M	9999 - LIN-DTM-BUS-MOA-SG5-SG6-SG7-SG10
SG10	- C	99999 - SEQ-DTM-BUS-FII-SG11-SG12-SG13-SG14-SG15-SG16-SG17-SG20
SG15	- C	3 - INP-FTX-DTM
DTM	- C	2 - Date/time/period

Function:
 To specify date, and/or time, or period.

	EDIFACT	GS1	*	Description
C507	DATE/TIME/PERIOD	M	M	
2005	Date or time or period function code qualifier	M an..3	M	174 = Advise after date/time 175 = Advise before date/time 176 = Advise completed date/time 177 = Advise on date/time
2380	Date or time or period value	C an..35	R	
2379	Date or time or period format code	C an..3	R	102 = CCYYMMDD 203 = CCYYMMDDHHMM

Segment Notes:
 This segment is used to specify the earliest and latest dates by which the instructions must be carried out.

Example:
 DTM+175:200206171000:203'
 Advise before 10am on the 17th of June 2002.

5. Segments Layout

Segment number: 40

SG4	- M	9999 - LIN-DTM-BUS-MOA-SG5-SG6-SG7-SG10
SG10	- C	99999 - SEQ-DTM-BUS-FII-SG11-SG12-SG13-SG14-SG15-SG16-SG17-SG20
SG16	- C	10 - GIS-MOA-LOC-NAD-RCS-FTX
GIS	- M	1 - General indicator

Function:
 To transmit a processing indicator.

Notes:
 1. This segment will be removed effective with directory D.02B.

	EDIFACT	GS1	*	Description
C529 PROCESSING INDICATOR	M	M		
7365 Processing indicator description code	M an..3	M	*	10 = Declaration requested 37 = Complete information
1131 Code list identification code	C an..17	N		
3055 Code list responsible agency code	C an..3	N		
7187 Process type description code	C an..17	N		

Segment Notes:
 This segment is used to indicate that the information contained in the following segments will be passed on to and processed by the central and regulatory party identified in the NAD segment.
 Note: The use of this segment group is subject to regulations stipulated by regulatory authorities, e.g. Central Bank.

Example:
 GIS+10'

5. Segments Layout

Segment number: 41

SG4	- M	9999 - LIN-DTM-BUS-MOA-SG5-SG6-SG7-SG10
SG10	- C	99999 - SEQ-DTM-BUS-FII-SG11-SG12-SG13-SG14-SG15-SG16-SG17-SG20
SG16	- C	10 - GIS-MOA-LOC-NAD-RCS-FTX
MOA	- C	1 - Monetary amount

Function:
 To specify a monetary amount.

	EDIFACT	GS1	*	Description
C516	MONETARY AMOUNT	M	M	
5025	Monetary amount type code qualifier	M an..3	M	139 = Total payment amount
5004	Monetary amount	C n..35	R	
6345	Currency identification code	C an..3	O	ISO 4217 three alpha code
6343	Currency type code qualifier	C an..3	O	11 = Payment currency
4405	Status description code	C an..3	N	

Segment Notes:
 This segment is used to specify monetary amounts which must be reported to the regulatory party identified in the NAD segment.

Example:
 MOA+139:125000:EUR:11'

5. Segments Layout

Segment number: 42

SG4	- M	9999 - LIN-DTM-BUS-MOA-SG5-SG6-SG7-SG10
SG10	- C	99999 - SEQ-DTM-BUS-FII-SG11-SG12-SG13-SG14-SG15-SG16-SG17-SG20
SG16	- C	10 - GIS-MOA-LOC-NAD-RCS-FTX
LOC	- C	2 - Place/location identification

Function:
 To identify a place or a location and/or related locations.

	EDIFACT	GS1	*	Description
3227 Location function code qualifier	M an..3	M		27 = Country of origin 28 = Country of destination of goods 39 = Country of production 40 = Country of trading
C517 LOCATION IDENTIFICATION	C	A		
3225 Location name code	C an..25	A		For country identification see ISO 3166 two alpha code, DE 3207
1131 Code list identification code	C an..17	O		
3055 Code list responsible agency code	C an..3	D		5 = ISO (International Organization for Standardization) 9 = GS1 DE 3055 must be used if DE 3225 is used and does not contain an UN/LOCODE.
3224 Location name	C an..256	O		
C519 RELATED LOCATION ONE IDENTIFICATION	C	N		
3223 First related location name code	C an..25			
1131 Code list identification code	C an..17			
3055 Code list responsible agency code	C an..3			
3222 First related location name	C an..70			
C553 RELATED LOCATION TWO IDENTIFICATION	C	N		
3233 Second related location name code	C an..25			
1131 Code list identification code	C an..17			
3055 Code list responsible agency code	C an..3			
3232 Second related location name	C an..70			
5479 Relation code	C an..3	N		

Segment Notes:
 This segment is used to indicate any locations relevant to the regulatory party identified in the NAD segment.
 Example:
 LOC+39+BE::5'
 Goods were produced in Belgium.

5. Segments Layout

Segment number: 43

SG4	- M	9999 - LIN-DTM-BUS-MOA-SG5-SG6-SG7-SG10
SG10	- C	99999 - SEQ-DTM-BUS-FII-SG11-SG12-SG13-SG14-SG15-SG16-SG17-SG20
SG16	- C	10 - GIS-MOA-LOC-NAD-RCS-FTX
NAD	- C	1 - Name and address

Function:
 To specify the name/address and their related function, either by C082 only and/or unstructured by C058 or structured by C080 thru 3207.

	EDIFACT	GS1	*	Description	
3035	Party function code qualifier	M an..3	M	*	RA = Central bank or regulatory authority
C082	PARTY IDENTIFICATION DETAILS	C	A		
3039	Party identifier	M an..35	M		For identification of parties it is recommended to use GLN - Format n13.
1131	Code list identification code	C an..17	O		
3055	Code list responsible agency code	C an..3	R	*	9 = GS1
C058	NAME AND ADDRESS	C	O		This composite may only be used to fulfill the requirements of directive 2003/58/EC, article 4.
3124	Name and address description	M an..35	M		
3124	Name and address description	C an..35	O		
3124	Name and address description	C an..35	O		
3124	Name and address description	C an..35	O		
3124	Name and address description	C an..35	O		
C080	PARTY NAME	C	D		
3036	Party name	M an..35	M		Party name in clear text.
3036	Party name	C an..35	O		
3036	Party name	C an..35	O		
3036	Party name	C an..35	O		
3036	Party name	C an..35	O		
3045	Party name format code	C an..3	O		
C059	STREET	C	D		
3042	Street and number or post office box identifier	M an..35	M		Building Name/Number and Street
3042	Street and number or post office box identifier	C an..35	O		Name and/or P.O. Box.
3042	Street and number or post office box identifier	C an..35	O		
3042	Street and number or post office box identifier	C an..35	O		
3164	City name	C an..35	D		City/town name, clear text
C819	COUNTRY SUB-ENTITY DETAILS	C	D		
3229	Country sub-entity name code	C an..9	O		
1131	Code list identification code	C an..17	O		

5. Segments Layout

Segment number: 43

	EDIFACT	GS1	*	Description
3055 Code list responsible agency code	C an..3	O		
3228 Country sub-entity name	C an..70	O		County/State, clear text.
3251 Postal identification code	C an..17	D		Postal code
3207 Country name code	C an..3	D		ISO 3166 two alpha code

Segment Notes:

This segment is used to identify the central and regulatory authority specifying the regulatory information detailed in the GIS and FTX segments.

Example:

NAD+RA+5422331123459::9'

Dependency Notes:

The following composites and data elements are only used when a coded name and address can not be used.

The affected composites and data elements are as follows;

C080 - C059 - 3164 - 3228 - 3251 - 3207

5. Segments Layout

Segment number: 44

SG4	- M	9999 - LIN-DTM-BUS-MOA-SG5-SG6-SG7-SG10
SG10	- C	99999 - SEQ-DTM-BUS-FII-SG11-SG12-SG13-SG14-SG15-SG16-SG17-SG20
SG16	- C	10 - GIS-MOA-LOC-NAD-RCS-FTX
RCS	- C	1 - Requirements and conditions

Function:
 To specify sector/subject requirements and conditions.

	EDIFACT	GS1	*	Description
7293 Sector area identification code qualifier	M an..3	M	*	25 = Banking sector
C550 REQUIREMENT/CONDITION IDENTIFICATION	C	A		
7295 Requirement or condition description identifier	M an..17	M		As no EDIFACT code values exist for this data element it is recommended that nationally agreed codes be formulated to identify the requirements and conditions possible due to regulatory requirements.
1131 Code list identification code	C an..17	O		
3055 Code list responsible agency code	C an..3	D		86 = Assigned by party originating the message
7294 Requirement or condition description	C an..35	O		
1229 Action request/notification description code	C an..3	N		
3207 Country name code	C an..3	N		

Segment Notes:
 This segment is used to indicate any requirements and conditions related to the transaction which is being reported to the regulatory authorities.

Example:
 RCS+25+AB1::86'
 Code assigned by the message sender indicating that the requirements and conditions relate to regulatory requirements to report the payment of amount in excess of a certain amount.

5. Segments Layout

Segment number: 45

SG4	- M	9999 - LIN-DTM-BUS-MOA-SG5-SG6-SG7-SG10			
SG10	- C	99999 - SEQ-DTM-BUS-FII-SG11-SG12-SG13-SG14-SG15-SG16-SG17-SG20			
SG16	- C	10 - GIS-MOA-LOC-NAD-RCS-FTX			
FTX	- C	10 - Free text			
Function: To provide free form or coded text information.					
	EDIFACT	GS1	*	Description	
4451	Text subject code qualifier	M an..3	M	*	REG = Regulatory information
4453	Free text function code	C an..3	N		
C107	TEXT REFERENCE	C	D		This composite is only used when trading partners have agreed to use mutually defined code values.
4441	Free text value code	M an..17	M		A code identifying standard text agreed between partners.
1131	Code list identification code	C an..17	O		
3055	Code list responsible agency code	C an..3	D		
C108	TEXT LITERAL	C	D		This composite is only used if coded text can not be used.
4440	Free text value	M an..512	M		
4440	Free text value	C an..512	O		
4440	Free text value	C an..512	O		
4440	Free text value	C an..512	O		
4440	Free text value	C an..512	O		
3453	Language name code	C an..3	D		ISO 639 two alpha code. This data element is only used when non coded free text has been provided in data element C108.
4447	Free text format code	C an..3	N		
Segment Notes:					
<p>This segment is used to provide free or coded text information required by the regulatory authorities. The form and content of this segment is dependent upon the central bank or regulatory authority's requirements. Use of this segment in free form is not recommended since in most cases it inhibits automatic processing of the multiple debit advice. Coded references to standard texts is an available functionality which enables automatic processing and reduces transmission and processing overheads. Standard texts should be mutually defined among trading partners and can be used to cover legal and other requirements.</p>					
<p>Example: FTX+REG+++SUBJECT TO EUROPEAN CENTRAL BANK REGULATIONS'</p>					

5. Segments Layout

Segment number: 46

SG4	- M	9999 - LIN-DTM-BUS-MOA-SG5-SG6-SG7-SG10	
SG10	- C	99999 - SEQ-DTM-BUS-FII-SG11-SG12-SG13-SG14-SG15-SG16-SG17-SG20	
SG17	- C	5 - FCA-MOA-SG18	
FCA	- M	1 - Financial charges allocation	
Function:			
Description of allocation of charges.			
	EDIFACT	GS1 *	Description
4471 Settlement means code	M an..3	M	* 13 = All charges borne by payee 14 = Each pay own cost 15 = All charges borne by payor
C878 CHARGE/ALLOWANCE ACCOUNT	C	O	
3434 Institution branch identifier	M an..17	M	
1131 Code list identification code	C an..17	R	* 25 = Bank identification 154 = Bank branch sorting identification
3055 Code list responsible agency code	C an..3	R	5 = ISO (International Organization for Standardization)
3194 Account holder identifier	C an..35	O	If this data element is not used the primary account (i.e. the ordered bank account) specified in the FII segment should be used.
6345 Currency identification code	C an..3	O	ISO 4217 three alpha
Segment Notes:			
This segment is used to identify the method for allocating charges and allowances, to a Beneficiary or Payee account. It may also identify an account where charges/allowances should be directed when different to the primary account.			
Example: FCA+15+DRESDEFF666:25:5'			

5. Segments Layout

Segment number: 47

SG4	- M	9999 - LIN-DTM-BUS-MOA-SG5-SG6-SG7-SG10			
SG10	- C	99999 - SEQ-DTM-BUS-FII-SG11-SG12-SG13-SG14-SG15-SG16-SG17-SG20			
SG17	- C	5 - FCA-MOA-SG18			
MOA	- C	2 - Monetary amount			
Function: To specify a monetary amount.					
		EDIFACT	GS1	*	Description
C516	MONETARY AMOUNT	M	M		
5025	Monetary amount type code qualifier	M an..3	M	*	259 = Total charges 260 = Total allowances
5004	Monetary amount	C n..35	R		
6345	Currency identification code	C an..3	O		ISO 4217 three alpha code
6343	Currency type code qualifier	C an..3	N		
4405	Status description code	C an..3	N		
Segment Notes: This segment is used to specify the value of any charges or allowances associated with the transaction. Example: MOA+259:150'					

5. Segments Layout

Segment number: 48

SG4	- M	9999 - LIN-DTM-BUS-MOA-SG5-SG6-SG7-SG10
SG10	- C	99999 - SEQ-DTM-BUS-FII-SG11-SG12-SG13-SG14-SG15-SG16-SG17-SG20
SG17	- C	5 - FCA-MOA-SG18
SG18	- C	20 - ALC-PCD-MOA-CUX-DTM-SG19
ALC	- M	1 - Allowance or charge

Function:
 To identify allowance or charge details.

	EDIFACT	GS1	*	Description
5463 Allowance or charge code qualifier	M an..3	M		A = Allowance C = Charge
C552 ALLOWANCE/CHARGE INFORMATION	C	O		
1230 Allowance or charge identifier	C an..35	D		If code '69' is used in DE 5189, the agreement number must be specified in DE 1230.
5189 Allowance or charge identification code	C an..3	O		1 = Handling commission 13 = Domiciliation commission 30 = Bank charges 69 = Charge for a customer specific finish
4471 Settlement means code	C an..3	N		
1227 Calculation sequence code	C an..3	D		If the allowance or charge is not to be applied against a fixed price then the calculation sequence indicator must be included.
C214 SPECIAL SERVICES IDENTIFICATION	C	O		
7161 Special service description code	C an..3	A		
1131 Code list identification code	C an..17	O		
3055 Code list responsible agency code	C an..3	D		
7160 Special service description	C an..35	O		
7160 Special service description	C an..35	O		

Segment Notes:
 This segment is used to provide a breakdown of all allowances and charges associated with the transaction.
 Example:
 ALC+C+:1'

5. Segments Layout

Segment number: 49

SG4	- M	9999 - LIN-DTM-BUS-MOA-SG5-SG6-SG7-SG10
SG10	- C	99999 - SEQ-DTM-BUS-FII-SG11-SG12-SG13-SG14-SG15-SG16-SG17-SG20
SG17	- C	5 - FCA-MOA-SG18
SG18	- C	20 - ALC-PCD-MOA-CUX-DTM-SG19
PCD	- C	1 - Percentage details

Function:
 To specify percentage information.

	EDIFACT	GS1	*	Description
C501 PERCENTAGE DETAILS	M	M		
5245 Percentage type code qualifier	M an..3	M		3 = Allowance or charge
5482 Percentage	C n..10	R		
5249 Percentage basis identification code	C an..3	O		
1131 Code list identification code	C an..17	O		
3055 Code list responsible agency code	C an..3	D		
4405 Status description code	C an..3	N		

Segment Notes:
 This segment is used to specify the percentage to be used when calculating the allowance or charge.

Example:
 PCD+3:4.23'

5. Segments Layout

Segment number: 50

SG4	- M	9999 - LIN-DTM-BUS-MOA-SG5-SG6-SG7-SG10
SG10	- C	99999 - SEQ-DTM-BUS-FII-SG11-SG12-SG13-SG14-SG15-SG16-SG17-SG20
SG17	- C	5 - FCA-MOA-SG18
SG18	- C	20 - ALC-PCD-MOA-CUX-DTM-SG19
MOA	- C	2 - Monetary amount

Function:
 To specify a monetary amount.

	EDIFACT	GS1	*	Description
C516	MONETARY AMOUNT	M	M	
5025	Monetary amount type code qualifier	M an..3	M	8 = Allowance or charge amount 25 = Charge/allowance basis
5004	Monetary amount	C n..35	R	
6345	Currency identification code	C an..3	O	
6343	Currency type code qualifier	C an..3	N	
4405	Status description code	C an..3	N	

Segment Notes:
 This segment is used to specify the amount and if necessary the basis amount to be used when calculating the allowances or charges.

Example:
 MOA+8:1400'

5. Segments Layout

Segment number: 51

SG4	- M	9999 - LIN-DTM-BUS-MOA-SG5-SG6-SG7-SG10
SG10	- C	99999 - SEQ-DTM-BUS-FII-SG11-SG12-SG13-SG14-SG15-SG16-SG17-SG20
SG17	- C	5 - FCA-MOA-SG18
SG18	- C	20 - ALC-PCD-MOA-CUX-DTM-SG19
CUX	- C	1 - Currencies

Function:

To specify currencies used in the transaction and relevant details for the rate of exchange.

		EDIFACT	GS1	*	Description
C504	CURRENCY DETAILS	C	R		
6347	Currency usage code qualifier	M an..3	M	*	2 = Reference currency
6345	Currency identification code	C an..3	R		ISO 4217 three alpha
6343	Currency type code qualifier	C an..3	R	*	11 = Payment currency
6348	Currency rate value	C n..4	D		
C504	CURRENCY DETAILS	C	D		The second occurrence of this composite is only used if a target currency is being specified.
6347	Currency usage code qualifier	M an..3	M	*	3 = Target currency
6345	Currency identification code	C an..3	R		ISO 4217 three alpha
6343	Currency type code qualifier	C an..3	R	*	4 = Invoicing currency 17 = Charge calculation currency
6348	Currency rate value	C n..4	D		
5402	Currency exchange rate	C n..12	D		The rate of exchange which applies to the currency. The rate of exchange is only used if a target currency has been identified in the second occurrence of C504.
6341	Exchange rate currency market identifier	C an..3	N		

Segment Notes:

This segment is used to provide the exchange rate related to the allowances or charges.

The CUX segment is mandatory for international exchanges.

This segment is used to provide the exchange rate related to the allowances or charges.

When specifying Reference and Target Currencies for international trade, one occurrence of CUX is all that is required. The reference currency is identified in the first occurrence of composite C504, with the target currency specified in the second occurrence of C504. The rate of exchange between the two is detailed in DE 5402.

The general rule for calculating rate of exchange is as follows;

Reference Currency multiplied by Rate = Target Currency.

Example:

CUX+2:EUR:11+3:USD:4+0.90243'

For an international transaction, the payment currency is identified as being Euro with the Invoicing currency as US Dollar. The rate of exchange between the two is 0.90243 Euro to 1 US Dollar.

Dependency Notes:

6348: This data element are only used when a rate of exchange is provided in data element 5402. When a rate of exchange is provided then at least one currency rate base must be specified.

5. Segments Layout

Segment number: 52

SG4	- M	9999 - LIN-DTM-BUS-MOA-SG5-SG6-SG7-SG10
SG10	- C	99999 - SEQ-DTM-BUS-FII-SG11-SG12-SG13-SG14-SG15-SG16-SG17-SG20
SG17	- C	5 - FCA-MOA-SG18
SG18	- C	20 - ALC-PCD-MOA-CUX-DTM-SG19
DTM	- C	1 - Date/time/period

Function:

To specify date, and/or time, or period.

		EDIFACT	GS1	*	Description
C507	DATE/TIME/PERIOD	M	M		
2005	Date or time or period function code qualifier	M an..3	M	*	134 = Rate of exchange date/time 211 = 360/30 212 = 360/28-31 213 = 365-6/30 214 = 365-6/28-31 215 = 365/28-31 216 = 365/30 273 = Validity period Code 211 - Calculation is based on year of 360 days, month of 30 days. Code 212 - Calculation is based on year of 360 days, month of 28-31 days. Code 213 - Calculation is based on year of 365-6 days, month of 30 days. Code 214 - Calculation is based on year of 365-6 days, month of 28-31 days. Code 215 - Calculation is based on year of 365 days, month of 28-31 days. Code 216 - Calculation is based on year of 365 days, month of 30 days.
2380	Date or time or period value	C an..35	R		
2379	Date or time or period format code	C an..3	R		102 = CCYYMMDD 107 = DDD 718 = CCYYMMDD-CCYYMMDD

Segment Notes:

This segment is used to specify the date on which a rate of exchange was quoted.

Example:

DTM+134:19950601:102'

5. Segments Layout

Segment number: 53

SG4	- M	9999 - LIN-DTM-BUS-MOA-SG5-SG6-SG7-SG10
SG10	- C	99999 - SEQ-DTM-BUS-FII-SG11-SG12-SG13-SG14-SG15-SG16-SG17-SG20
SG17	- C	5 - FCA-MOA-SG18
SG18	- C	20 - ALC-PCD-MOA-CUX-DTM-SG19
SG19	- C	5 - TAX-MOA
TAX	- M	1 - Duty/tax/fee details

Function:

To specify relevant duty/tax/fee information.

		EDIFACT	GS1	*	Description
5283	Duty or tax or fee function code qualifier	M an..3	M		5 = Customs duty 6 = Fee 7 = Tax
C241	DUTY/TAX/FEE TYPE	C	D		
5153	Duty or tax or fee type name code	C an..3	O		GST = Goods and services tax OTH = Other taxes VAT = Value added tax
1131	Code list identification code	C an..17	O		
3055	Code list responsible agency code	C an..3	D		
5152	Duty or tax or fee type name	C an..35	O		
C533	DUTY/TAX/FEE ACCOUNT DETAIL	C	O		
5289	Duty or tax or fee account code	M an..6	M		
1131	Code list identification code	C an..17	O		
3055	Code list responsible agency code	C an..3	D		
5286	Duty or tax or fee assessment basis value	C an..15	O		
C243	DUTY/TAX/FEE DETAIL	C	A		
5279	Duty or tax or fee rate code	C an..7	O		
1131	Code list identification code	C an..17	O		
3055	Code list responsible agency code	C an..3	D		
5278	Duty or tax or fee rate	C an..17	R		The actual rate of tax/duty.
5273	Duty or tax or fee rate basis code	C an..12	O		
1131	Code list identification code	C an..17	O		
3055	Code list responsible agency code	C an..3	D		
5305	Duty or tax or fee category code	C an..3	D		A = Mixed tax rate E = Exempt from tax S = Standard rate
3446	Party tax identifier	C an..20	O		
1227	Calculation sequence code	C an..3	N		

5. Segments Layout

Segment number: 53

Segment Notes:

This segment is used to specify any taxes associated with the allowances and charges.

Example:

TAX+7+VAT+++:::18.5+S'

Dependency Notes:

DE C241 and 5305: Tax types and categories will vary from country to country. They should be defined by national guidelines.

5. Segments Layout

Segment number: 54

SG4	- M	9999 - LIN-DTM-BUS-MOA-SG5-SG6-SG7-SG10
SG10	- C	99999 - SEQ-DTM-BUS-FII-SG11-SG12-SG13-SG14-SG15-SG16-SG17-SG20
SG17	- C	5 - FCA-MOA-SG18
SG18	- C	20 - ALC-PCD-MOA-CUX-DTM-SG19
SG19	- C	5 - TAX-MOA
MOA	- C	2 - Monetary amount

Function:

To specify a monetary amount.

		EDIFACT	GS1	*	Description
C516	MONETARY AMOUNT	M	M		
5025	Monetary amount type code qualifier	M an..3	M		55 = Duty amount 56 = Duty/tax/fee basis amount 161 = Duty, tax or fee amount
5004	Monetary amount	C n..35	R		
6345	Currency identification code	C an..3	O		
6343	Currency type code qualifier	C an..3	N		
4405	Status description code	C an..3	N		

Segment Notes:

This segment is used to indicate the tax or duty amount for the tax rates specified in the previous TAX segment.

Example:

MOA+55:6500'

5. Segments Layout

Segment number: 55

SG4	- M	9999 - LIN-DTM-BUS-MOA-SG5-SG6-SG7-SG10
SG10	- C	99999 - SEQ-DTM-BUS-FII-SG11-SG12-SG13-SG14-SG15-SG16-SG17-SG20
SG20	- C	1 - PRC-FTX-SG21-SG27
PRC	- M	1 - Process identification

Function:
To identify a process.

	EDIFACT	GS1	*	Description
C242	PROCESS TYPE AND DESCRIPTION	C	R	
7187	Process type description code	M an..17	M *	8 = Processing of structured information 9 = Processing of identical information in structured and unstructured form 11 = Processing of unstructured information 8 - The information following this segment is presented in a structured format using segments such as the DOC and MOA in segment group 21. 9 - The information following this segment is presented in both an unstructured format, and has the same content and meaning, using the following FTX segment, and a structured format using segments such as the DOC and MOA in segment group 21. This code is required so as the receiving bank can decide which format (EDIFACT or SWIFT) to use when transmitting the information to the beneficiary's bank. 11 - The information following this segment is presented in an unstructured format using the following FTX segment.
1131	Code list identification code	C an..17	O	
3055	Code list responsible agency code	C an..3	O	
7186	Process type description	C an..35	O	
7186	Process type description	C an..35	O	
C830	PROCESS IDENTIFICATION DETAILS	C	N	
7191	Process description code	C an..17		
1131	Code list identification code	C an..17		
3055	Code list responsible agency code	C an..3		
7190	Process description	C an..70		

Segment Notes:
 This segment is used to provide processing information related to the debit advice.
 It should be noted that information sent in groups 21 through 27 is generated by the ordering party and is simply forwarded to the beneficiary via the intermediary bank(s) without amendment.

Example:
 PRC+8'

5. Segments Layout

Segment number: 56

SG4	- M	9999 - LIN-DTM-BUS-MOA-SG5-SG6-SG7-SG10		
SG10	- C	99999 - SEQ-DTM-BUS-FII-SG11-SG12-SG13-SG14-SG15-SG16-SG17-SG20		
SG20	- C	1 - PRC-FTX-SG21-SG27		
FTX	- C	5 - Free text		
Function:				
To provide free form or coded text information.				
	EDIFACT	GS1 *	Description	
4451	Text subject code qualifier	M an..3	M	PMT = Payment information
4453	Free text function code	C an..3	N	
C107	TEXT REFERENCE	C	D	This composite is only used when trading partners have agreed to use mutually defined code values.
4441	Free text value code	M an..17	M	A code identifying standard text agreed between trading partners.
1131	Code list identification code	C an..17	O	
3055	Code list responsible agency code	C an..3	D	
C108	TEXT LITERAL	C	D	This composite is only used if coded text can not be used.
4440	Free text value	M an..512	M	
4440	Free text value	C an..512	O	
4440	Free text value	C an..512	O	
4440	Free text value	C an..512	O	
4440	Free text value	C an..512	O	
3453	Language name code	C an..3	D	ISO 639 two alpha code. This data element is only used when non coded free text has been provided in data element C108.
4447	Free text format code	C an..3	N	
Segment Notes:				
<p>This segment is used to provide free or coded text information related to the processing of the payment. Use of this segment in free form is not recommended since in most cases it inhibits automatic processing of the multiple debit advice. Coded references to standard texts is an available functionality which enables automatic processing and reduces transmission and processing overheads. Standard texts should be mutually defined among trading partners and can be used to cover legal and other requirements.</p>				
<p>Example: FTX+PMT+++PAYMENT RELATES TO ACCUMULATED INVOICES JAN 1995'</p>				

5. Segments Layout

Segment number: 57

SG4	- M	9999 - LIN-DTM-BUS-MOA-SG5-SG6-SG7-SG10
SG10	- C	99999 - SEQ-DTM-BUS-FII-SG11-SG12-SG13-SG14-SG15-SG16-SG17-SG20
SG20	- C	1 - PRC-FTX-SG21-SG27
SG21	- C	9999 - DOC-MOA-RFF
DOC	- M	1 - Document/message details

Function:
 To identify documents and details directly related to it.

	EDIFACT	GS1	*	Description
C002 DOCUMENT/MESSAGE NAME	M	M		
1001 Document name code	C an..3	R		82 = Metered services invoice 83 = Credit note related to financial adjustments 84 = Debit note related to financial adjustments 380 = Commercial invoice 381 = Credit note - goods and services 383 = Debit note - goods and services 385 = Consolidated invoice 386 = Prepayment invoice 389 = Self-billed invoice 390 = Delcredere invoice
1131 Code list identification code	C an..17	O		
3055 Code list responsible agency code	C an..3	D		
1000 Document name	C an..35	N		
C503 DOCUMENT/MESSAGE DETAILS	C	R		
1004 Document identifier	C an..35	R		
1373 Document status code	C an..3	O		2 = Accompanying goods 4 = To arrive by separate EDI message 6 = To arrive by manual means
1366 Document source description	C an..70	N		
3453 Language name code	C an..3	O		ISO 639 two alpha code.
1056 Version identifier	C an..9	N		
1060 Revision identifier	C an..6	N		
3153 Communication medium type code	C an..3	N		
1220 Document copies required quantity	C n..2	N		
1218 Document originals required quantity	C n..2	N		

Segment Notes:
 This segment is used to provide details of the documents, e.g. a group of invoices, to which the multiple debit advice refers.

Example:
 DOC+380+43534'

5. Segments Layout

Segment number: 58

SG4	- M	9999 - LIN-DTM-BUS-MOA-SG5-SG6-SG7-SG10
SG10	- C	99999 - SEQ-DTM-BUS-FII-SG11-SG12-SG13-SG14-SG15-SG16-SG17-SG20
SG20	- C	1 - PRC-FTX-SG21-SG27
SG21	- C	9999 - DOC-MOA-RFF
MOA	- C	5 - Monetary amount

Function:
 To specify a monetary amount.

	EDIFACT	GS1	*	Description
C516	MONETARY AMOUNT	M	M	
5025	Monetary amount type code qualifier	M an..3	M	9 = Amount due/amount payable 11 = Amount paid 12 = Amount remitted 52 = Discount amount 53 = Discount amount due 109 = Payment discount amount 126 = To collect 128 = Total amount 139 = Total payment amount 143 = Transfer amount When used in conjunction with code 481 in data element 1001 of the DOC segment only the amount remitted (code 12) should be used here. When used with all other codes in data element 1001 in the DOC segment it is recommended that the amount due (code 9) and the amount remitted (code 12) be included in this data element.
5004	Monetary amount	C n..35	R	
6345	Currency identification code	C an..3	N	
6343	Currency type code qualifier	C an..3	N	
4405	Status description code	C an..3	N	

Segment Notes:
 This segment is used to specify monetary amounts related to the complete document identified in the previous
 DOC segment.

Example:
 MOA+12:15677'

5. Segments Layout

Segment number: 59

SG4	- M	9999 - LIN-DTM-BUS-MOA-SG5-SG6-SG7-SG10
SG10	- C	99999 - SEQ-DTM-BUS-FII-SG11-SG12-SG13-SG14-SG15-SG16-SG17-SG20
SG20	- C	1 - PRC-FTX-SG21-SG27
SG21	- C	9999 - DOC-MOA-RFF
RFF	- C	5 - Reference

Function:

To specify a reference.

		EDIFACT	GS1	*	Description
C506	REFERENCE	M	M		
1153	Reference code qualifier	M an..3	M		AAB = Proforma invoice number AAJ = Delivery order number AAK = Despatch advice number CD = Credit note number CR = Customer reference number CT = Contract number DL = Debit note number DQ = Delivery note number IV = Invoice number ON = Order number (buyer) PL = Price list number POR = Purchase order response number PP = Purchase order change number VN = Order number (supplier)
1154	Reference identifier	C an..70	R		
1156	Document line identifier	C an..6	N		
4000	Reference version identifier	C an..35	N		
1060	Revision identifier	C an..6	N		

Segment Notes:

This segment is used to provide any additional references relevant to the currently identified DOC segment.

Example:

RFF+ON:A-7664'

5. Segments Layout

Segment number: 60

SG4	- M	9999 - LIN-DTM-BUS-MOA-SG5-SG6-SG7-SG10
SG10	- C	99999 - SEQ-DTM-BUS-FII-SG11-SG12-SG13-SG14-SG15-SG16-SG17-SG20
SG20	- C	1 - PRC-FTX-SG21-SG27
SG27	- C	1 - GIS-MOA
GIS	- M	1 - General indicator

Function:

To transmit a processing indicator.

Notes:

1. This segment will be removed effective with directory D.02B.

		EDIFACT	GS1	*	Description
C529	PROCESSING INDICATOR	M	M		
7365	Processing indicator description code	M an..3	M	*	37 = Complete information
1131	Code list identification code	C an..17	N		
3055	Code list responsible agency code	C an..3	N		
7187	Process type description code	C an..17	N		

Segment Notes:

This segment is used to indicate the end of the detail of payment.

Example:

GIS+37'

5. Segments Layout

Segment number: 61

SG4	- M	9999 - LIN-DTM-BUS-MOA-SG5-SG6-SG7-SG10
SG10	- C	99999 - SEQ-DTM-BUS-FII-SG11-SG12-SG13-SG14-SG15-SG16-SG17-SG20
SG20	- C	1 - PRC-FTX-SG21-SG27
SG27	- C	1 - GIS-MOA
MOA	- C	5 - Monetary amount

Function:
 To specify a monetary amount.

	EDIFACT	GS1	*	Description
C516 MONETARY AMOUNT	M	M		
5025 Monetary amount type code qualifier	M an..3	M		128 = Total amount
5004 Monetary amount	C n..35	R		
6345 Currency identification code	C an..3	N		
6343 Currency type code qualifier	C an..3	N		
4405 Status description code	C an..3	N		

Segment Notes:
 This segment is used to indicate the total amount for level C for control purposes. The figure detailed here is simply an accumulation of the values specified in all MOA segments in level C regardless of the qualifiers used in DE 5025.

Example:
 MOA+128:25601'

5. Segments Layout

Segment number: 62

CNT - C 5 - Control total					
Function: To provide control total.					
		EDIFACT	GS1	*	Description
C270	CONTROL	M	M		
6069	Control total type code qualifier	M an..3	M		2 = Number of line items in message 40 = Total number of sequence details in message
6066	Control total value	M n..18	M		
6411	Measurement unit code	C an..3	O		
Segment Notes: This segment is used to provide application data for message control purposes. Example: CNT+2:26'					

5. Segments Layout

Segment number: 63

SG28	- C	5 - AUT-DTM			
AUT	- M	1 - Authentication result			
Function: To specify results of the application of an authentication procedure.					
		EDIFACT	GS1	*	Description
9280	Validation result value	M an..35	M		
9282	Validation key identifier	C an..35	O		This data element is used to identify the key which has been/is used to validate the contents of the message.
Segment Notes: This segment is used to provide details of any authentication procedures which have been applied to the multiple debit order. The use of this segment is, including any algorithms and calculation procedures, dependent on bilaterally agreed conditions between the message sender and receiver. Example: AUT+7761'					

5. Segments Layout

Segment number: 64

SG28	- C	5 - AUT-DTM			
DTM	- C	1 - Date/time/period			
Function:					
To specify date, and/or time, or period.					
		EDIFACT	GS1	*	Description
C507	DATE/TIME/PERIOD	M	M		
2005	Date or time or period function code qualifier	M an..3	M	*	218 = Authentication/validation date/time
2380	Date or time or period value	C an..35	R		
2379	Date or time or period format code	C an..3	R		102 = CCYYMMDD 203 = CCYYMMDDHHMM
Segment Notes:					
This segment is used to provide details related to the date and where necessary, the time, of the authentication procedure.					
Example:					
DTM+218:200206011200:203'					
The multiple payment order was validated at 12 noon on the 1st of June 2002.					

5. Segments Layout

Segment number: 65

UNT - M 1 - Message trailer					
Function: To end and check the completeness of a message.					
		EDIFACT	GS1	*	Description
0074	Number of segments in the message	M n..6	M		The total number of segments in the message.
0062	Message reference number	M an..14	M		The message reference numbered detailed here should equal the one specified in the UNH segment.
Segment Notes: The UNT segment is a mandatory UN/EDIFACT segment. It must always be the last segment in the message. Example: UNT+63+ME0000001'					

5. Segments Layout

Segment number: 66

UNZ - M 1 - Interchange trailer					
Function: To end and check the completeness of an interchange.					
		EDIFACT	GS1	*	Description
0036	Interchange control count	M n..6	M		Number of messages or functional groups within an interchange.
0020	Interchange control reference	M an..14	M		Identical to DE 0020 in UNB segment.
Segment Notes:					
This segment is used to provide the trailer of an interchange. UNZ+5+1234555'					
DE 0036: If functional groups are used, this is the number of functional groups within the interchange. If functional groups are not used, this is the number of messages within the interchange.					

6. Examples

The following is an example of a multiple debit advice message sent to an ordering party identified by GLN 5422331123459 providing details of payments made to a beneficiary identified by GLN 5432154111113.

The message, identified by the number 6851, was generated on the 10th of August 2002 and provides details of debits totalling 50000 Euros (EUR). The debit is made against the payment order number 42611 raised on the 1st of August 2002 . The banks of the ordering party and beneficiary are identified using the ISO bank identification codes.

UNH+ME00000001+DEBMUL:D:01B:UN:EAN003'	Message header
BGM+338+6851+9'	Multiple debit advice number 6851
DTM+137:20020810:102'	Message date 10th August 2002
FII+MS++GENBBELG:25:5'	Messages sender identified by bank identification code
NAD+MR+5422331123459::9'	Message recipient identified by GLN 5422331123459
LIN+1'	Start of level B
MOA+60:50000:EUR'	Posted amount equals 50000 EUR
RFF+ACK:42611'	Bank reference number 42611
FII+OR+123-9876511:GBE SA:LGE+123:25:5:12'	Identification of ordering customer financial details
SEQ++1'	Start of level C
FII+BF+994-3277711:KBE SA:BXL+994:25:5:438'	Identification of beneficiary financial details
NAD+BE+5432154111113::9'	Beneficiary identified using GLN 5432154111113
UNT+13+ME00000001'	Total number of segments in the message equals 13

Note:

The EDI interchange will include the UNB..UNZ segments and, if applicable, the UNG..UNE segments. (See part 1 section 5.7).